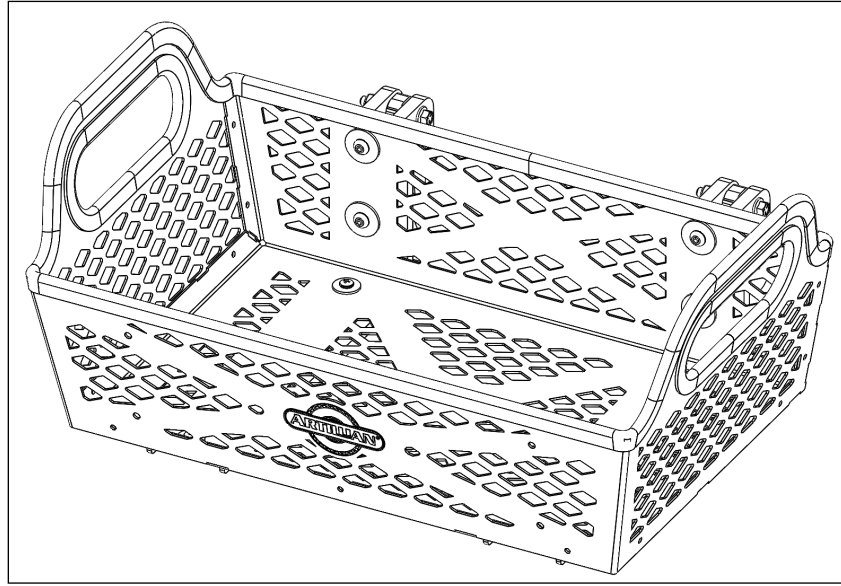




ARTILLIAN ROPS MOUNTED SMALL TOOL BASKET P/N: 1RMTBSK-5

For use on the Artillian ROPS Mounted Tool Bar (P/N: 1RMTB) (sold separately)



The Artillian ROPS Mounted Small Tool Basket is an open-top basket for carrying tools, hitch pins, chains, etc. Made from laser-cut & powder coated 16GA steel, it will stand up to the elements and everyday use. Bent and welded heavy duty support brackets for added strength. Rated for 35 lbs.

Incorporated grab handles make for convenient carrying, installation, and removal from the tractor. Bring the basket to where the tools are, fill it up, and carry it back to your tractor. Drop it onto the *ROPS Mounted Tool Bar (sold separately)*, cam over the latches, and you are on your way!

The quick release *Cam Lever Latches* allow for easy removal of the tool basket for storage or replacement with one of the many other Artillian ROPS Mounted Tool Bar Accessories.

Approximate Installation Time

Experienced Dealer Technician – 2 Minutes

Average Dealer Technician – 2 Minutes

Do-It-Yourself – 2 Minutes

Approximate Product Specifications

Internal dimensions: 16" L x 10.5" W x 5" H

Weight: 13.5 lbs. (not including mounting bar)

Capacity: 50 lbs.



CAUTION

Do not exceed the rated capacity for the Tool Basket. Doing so may result in damage to the Basket and/or the Tool Bar and will void the warranty.

The contents of this envelope are the property of the owner. Leave with the owner when installation is complete.

All images shown are for illustration purposes only. Actual product may vary due to product enhancement.

FEATURES AND OPERATION

ATTACH TO MOUNTING BAR:

1. Figure 1 shows a tool basket installed onto an Artillian ROPS Mounted Tool Bar.
2. To install the tool basket, rotate both cam levers UP, then place onto the Tool Bar. See fig. 2.

Note: if the Cam Lever Latches do not sit flush on the Tool Bar, one of the clamp plates may not have been fully open. Simply remove the tool basket, rotate the cam levers up and tilt the tool basket away from you to ensure the clamp plates are fully open, then reinstall on the Tool Bar.

3. To secure the tool basket to the Tool Bar, rotate both cam levers DOWN until they cam over. See fig. 3.

NOTE: For additional security, the tool basket can be locked to the Tool Bar by inserting a padlock through the holes in the mounting bracket where shown in figure 3.

4. To remove the tool basket from the Tool Bar, rotate both cam levers UP, then lift the tool basket.

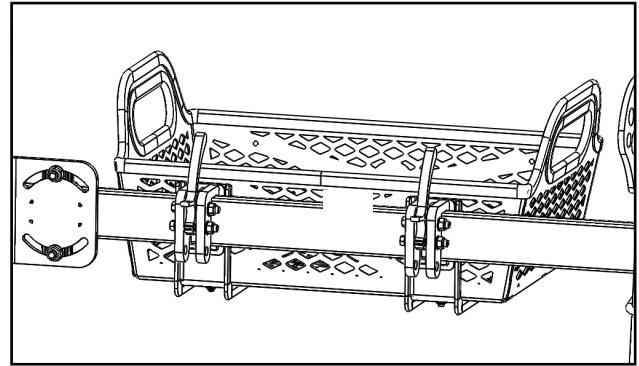


Fig. 1 (attaching the tool basket)

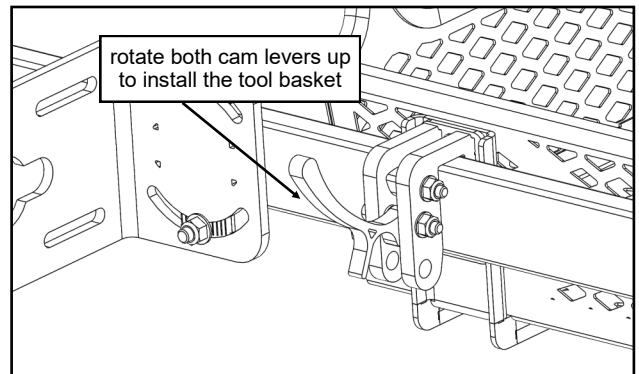


Fig. 2 (cam lever in the open position)

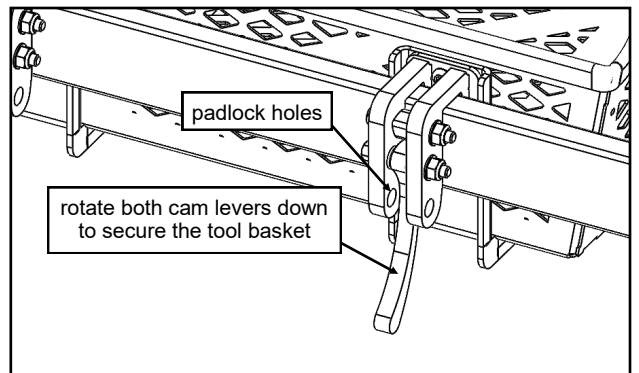


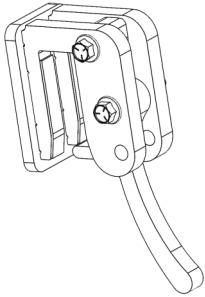
Fig. 3 (cam lever in the closed position)

FEATURES AND OPERATION

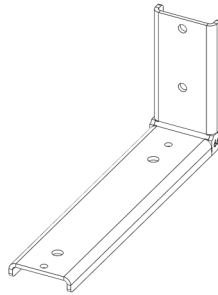
1. For optimal functionality, the cam lever latches are factory assembled with some friction between the cam lever and the housing. This ensures the cam lever doesn't accidentally flip closed while the user attempts to install it on the bar. If the cam levers loosen up over time, simply tighten the nut and bolt that secure the lever to the housing until the desired resistance on the cam lever has been achieved.
2. Four extra holes (one per corner) have been provided on the front of the Basket if you want to install rubber clamps (sold separately) for holding long handles tools. A kit of 4 rubber clamps with hardware can be purchased under p/n: 1WL08-4PK

SERVICE PARTS:

CAM LEVER LATCH
P/N: 8SV-110-00146 (QTY.: ONE)



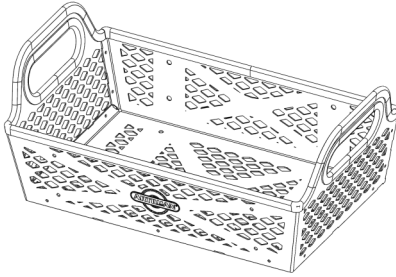
TOOLBOX SUPPORT BRACKET, SMALL
P/N: 8SV-WA-00745 (QTY.: 2)



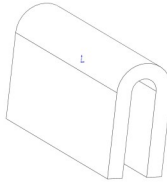
SAFETY WALK ADHESIVE STRIPS
P/N: 9SV-9PR62-375 (QTY.: 12)
(SIZE: 3/8" X 2")



SMALL TOOL BASKET (w/ Trim Lok & decal)
P/N: 8SV-WA-00744

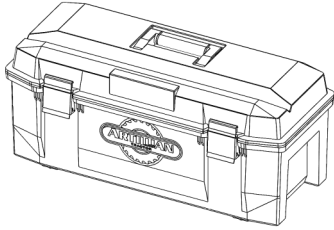


TRIM LOK (10 feet long)
P/N: 9SV-PRO1-10

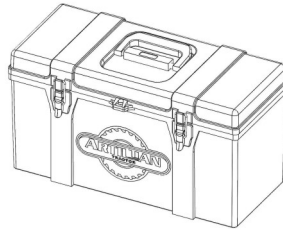


OTHER ACCESSORIES:

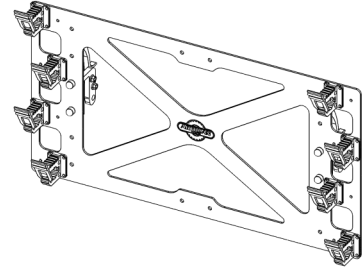
ROPS MOUNTED TOOLBOX, X-LARGE
P/N: 1RMTBXL



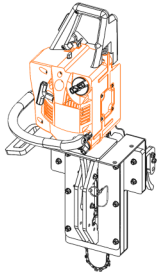
ROPS MOUNTED TOOLBOX, LARGE
P/N: 1RMTBXS



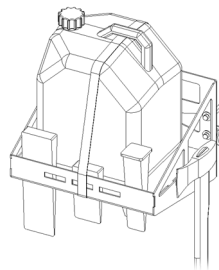
ROPS MOUNTED TOOL RACK
P/N: 1RMTRK



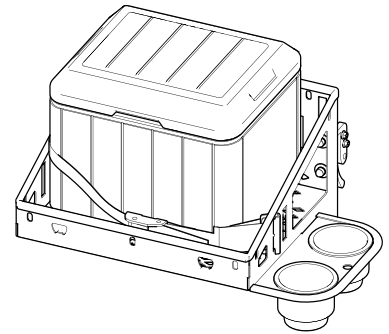
ROPS MOUNTED CHAINSAW MOUNT
P/N: 1RMCSM
(chainsaw shown for illustration purposes)



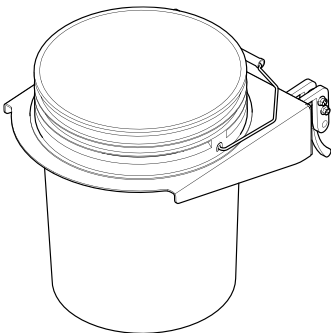
ROPS MOUNTED FUEL CAN HOLDER
P/N: 1RMFCH
(Fuel can, wedges, & maul shown for illustration purposes)



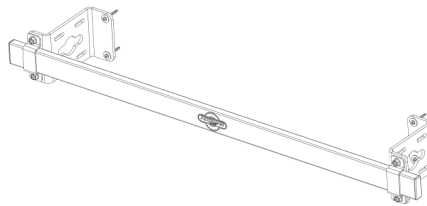
ROPS MOUNTED BEVERAGE COOLER
HOLDER - P/N: 1RMBCH
(Cooler shown for illustration purposes)



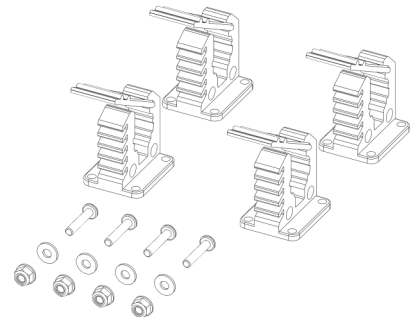
ROPS MOUNTED 5-GALLON BUCKET
HOLDER - P/N: 1RM5GBH
(Bucket shown for illustration purposes)



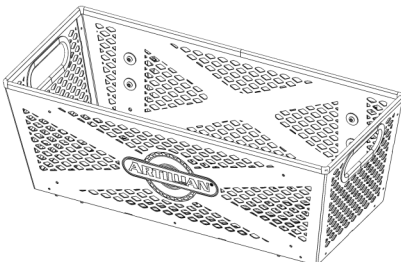
TOOL BAR WALL MOUNT
P/N: 1RMTBWM



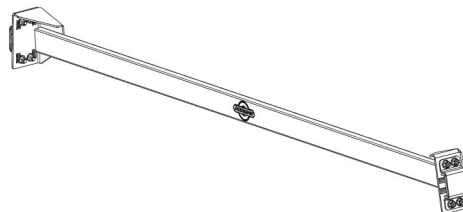
RUBBER CLAMPS, .63"-1.38" DIA.,
PACK OF 4 WITH HARDWARE
P/N: 1WL08-4PK



ROPS MOUNTED TOOL BASKET
P/N: 1RMTBSK



60" UTILITY CROSS BAR
P/N: 1UTVCB-60



MORE ACCESSORIES COMING SOON!

				REV. A	
PREPARED BY:	MBA	DATE:	09/04/2024	PART #:	1RMTBSK-5
CHECKED BY:	GRA	DATE:	09/06/2024	DESCRIPTION:	INSTALLATION INSTRUCTIONS
APPROVED BY:	MDR	DATE:	09/09/2024	TITLE:	ARTILLIAN ROPS MOUNTED SMALL TOOL BASKET

REVISION	DESCRIPTION OF REVISION CHANGES	ECN	BY	DATE
A	PRODUCTION RELEASE	----	MBA	09/04/2024