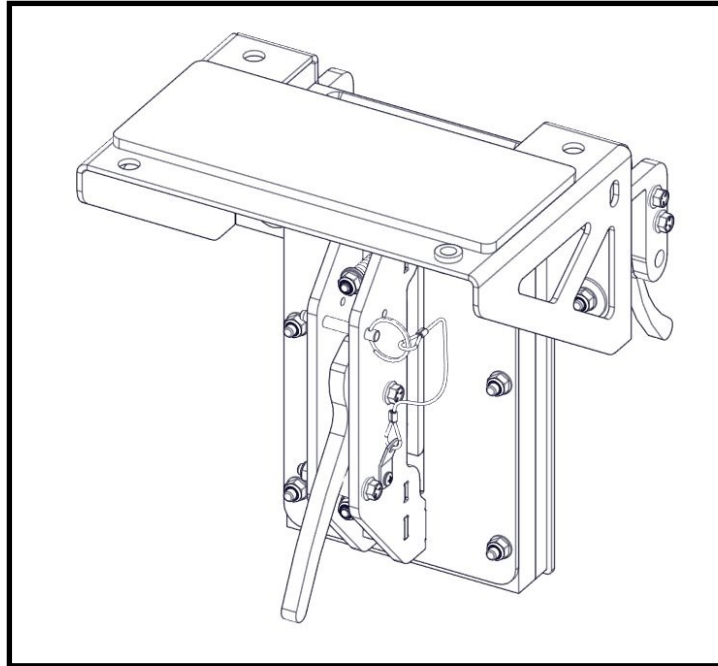




**ARTILLIAN ROPS MOUNTED CHAINSAW MOUNT
P/N: 1RMCSM**

For use on the Artillian ROPS Mounted Tool Bar (P/N: 1RMTB) (sold separately)



The Artillian Chainsaw Mount holds chainsaws with bar lengths over 14-inch and widths under 4-1/2 inches (across the teeth). The “scabbard” style mount features 10GA steel with UHMW Polyethylene contact areas for added protection of the bar and chain. A spring loaded clamping mechanism securely grips bars of varying thicknesses and allows for installation and removal of the saw in seconds without the use of tools. The saw’s motor housing is supported by a steel bracket with rubber pad to prevent unnatural torsional forces on the bar. An incorporated “Scrench” holder and bungee cord attachment points complement the design.

Integrated Cam Lever Latches securely lock onto the Artillian ROPS Mounted Tool Bar (sold separately) in seconds without the use of tools.

Approximate Installation Time
Experienced Dealer Technician – 5 Minutes
Average Dealer Technician – 5 Minutes
Do-It-Yourself – 5 Minutes

Approximate Product Specifications
Dimensions: 10.5” L x 9.5” W x 12” H
Weight: 18 lbs. (not including mounting bar)
Capacity: Accepts Chainsaws with 14”-24” bars



CAUTION

Do not exceed the rated capacity for the Chainsaw Mount. Doing so may result in damage to the mount and/or the Tool Bar and will void the warranty.

The contents of this envelope are the property of the owner. Leave with the owner when installation is complete.

FEATURES AND OPERATION

ATTACH TO MOUNTING BAR:

Note: The Artillian ROPS Mounted Toolbar is designed to hold multiple accessories at one time. If placed appropriately, up to 3 separate accessories may be possible. For example, the Chainsaw Mount, Fuel Can Holder, and Beverage Cooler Holder were designed to fit on the toolbar simultaneously.

1. Figure 1 shows a chainsaw mount installed onto an Artillian ROPS Mounted Tool Bar.
2. To install the chainsaw mount, rotate both cam levers UP, then place onto the Tool Bar. See fig. 2.

Note: if the Cam Lever Latches do not sit flush on the Tool Bar, one of the clamp plates may not have been fully open. Simply remove the chainsaw mount, rotate the cam levers up and tilt the chainsaw mount away from you to ensure the clamp plates are fully open, then reinstall on the Tool Bar.

3. To secure the chainsaw mount to the Tool Bar, rotate both cam levers DOWN until they cam over. See fig. 3.

NOTE: For additional security, the chainsaw mount can be locked to the Tool Bar by inserting a padlock through the holes in the mounting bracket where shown in fig. 3.

4. To remove the chainsaw mount from the Tool Bar, rotate both cam levers UP, then lift the chainsaw mount.

FEATURES AND OPERATION

1. For optimal functionality, when the cam lever latches are all the way up, they ensure that the cam plates are fully retracted. The cam lever latches are factory assembled with some friction between the cam lever and the housing. This ensures the cam lever doesn't accidentally flip closed while the user attempts to install it on the bar. If the cam levers loosen up over time, simply tighten the nut and bolt that secure the lever to the housing until the desired resistance on the cam lever has been achieved.
2. To install the chainsaw into the mount, pull the quick release pin and rotate the chainsaw mount's cam lever down. See fig. 4.
3. Slide the chainsaw into the mount, per fig. 5.

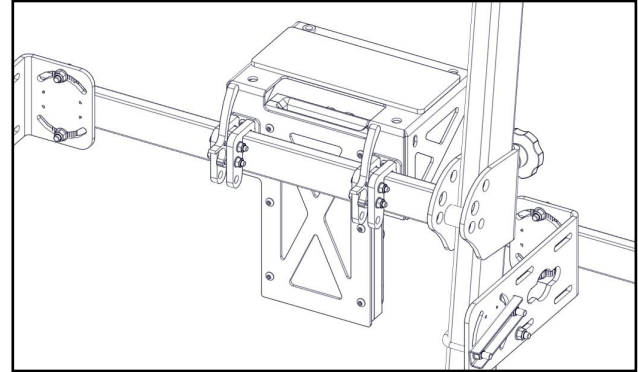


Fig. 1 (attaching the chainsaw mount)

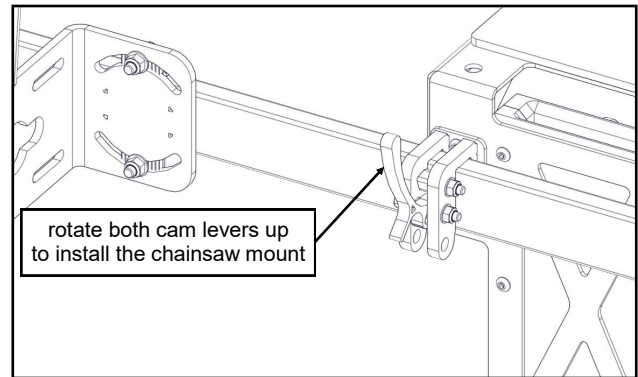


Fig. 2 (cam lever in the open position)

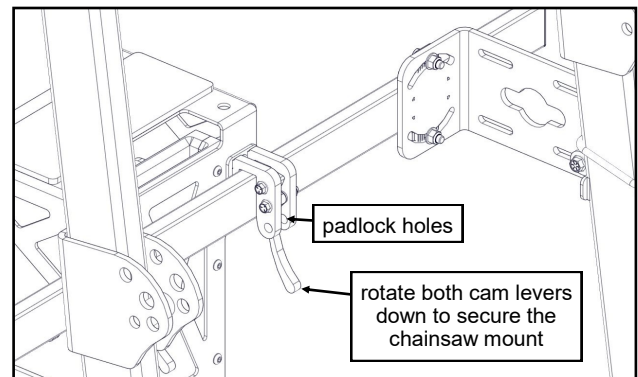


Fig. 3 (cam lever in the closed position)

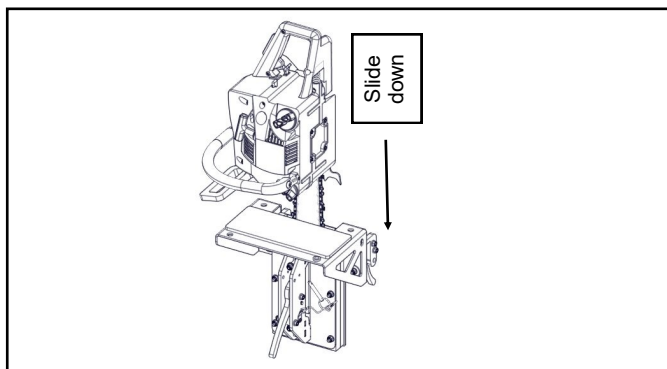


Fig. 5 (installing chainsaw, slide chainsaw into place)

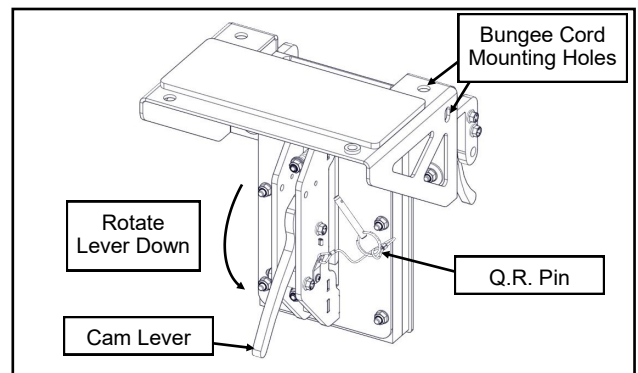


Fig. 4 (installing chainsaw, remove Q.R. pin)

FEATURES AND OPERATION

FEATURES AND OPERATION (cont'd.)

4. Per fig. 6, rotate the cam lever up. Ensure the handle rotates beyond the quick release pin mounting holes.
5. Slide the quick release pin into its mounting holes per fig. 7.

The chainsaw is now fully installed into the mount. If additional support is desired, bungee cord holes have been provided. Thread a bungee cord through the handle on the chainsaw and hook each end into a hole in the mount.

6. The chainsaw mount also includes a mounting hole with rubber grommet to secure your "Scrench". See figure 8.

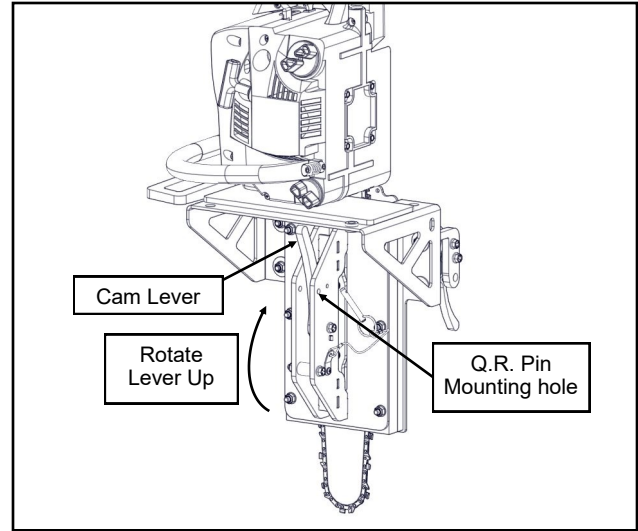


Fig. 6 (installing chainsaw, rotate cam lever up)

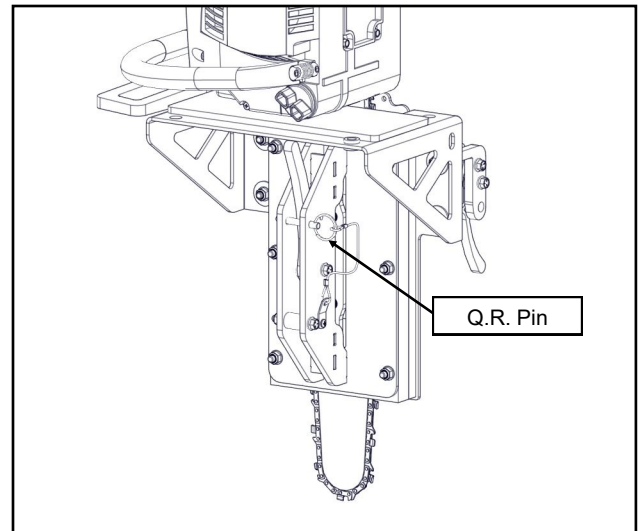


Fig. 7 (installing chainsaw, insert Q.R. Pin)

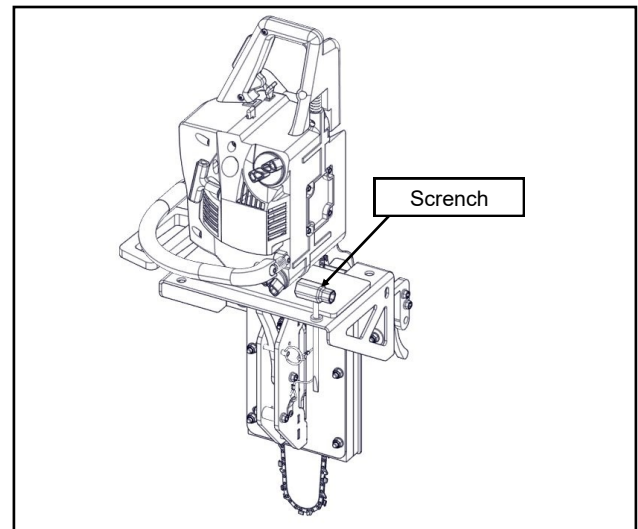
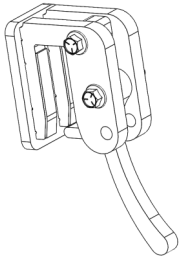


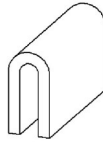
Fig. 8 (installing Scrench)

CHAINSAW MOUNT SERVICE PARTS

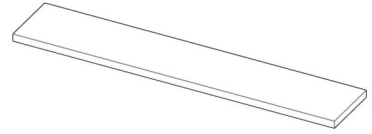
CAM LEVER LATCH
P/N: 8SV-110-00146 (QTY.: ONE)



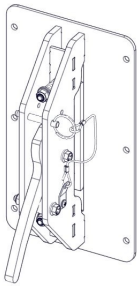
TRIM LOK (10 feet long)
P/N: 9SV-PRO1-10



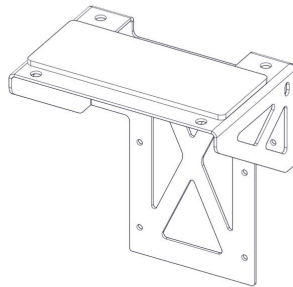
SAFETY WALK ADHESIVE STRIPS
P/N: 9SV-9PR62-375 (QTY.: 12)



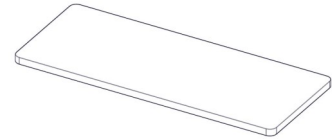
CHAINSAW CLAMP ASSY
P/N: 8SV-113-00212



CHAINSAW MOUNTING PLATE W/
RUBBER PAD; P/N: 8SV-SM-01664



RUBBER PAD, CHAINSAW MOUNT
P/N: 9SV-9FR00061



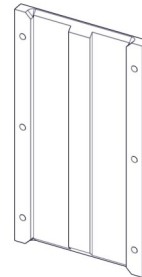
CHAINSAW CLAMP BLOCK
P/N: 9SV-P-00120



CHAINSAW GUIDE BLOCK, CLAMP SIDE
P/N: 9SV-P-00121



CHAINSAW GUIDE BLOCK, MOUNT SIDE
P/N: 9SV-P-00122

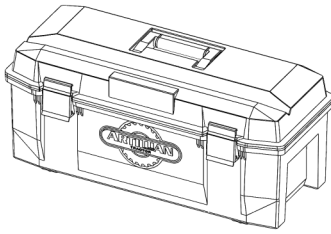


CHAINSAW CLAMP BLOCK ASSY
P/N: 8SV-113-00210

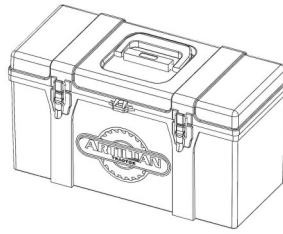


OTHER ACCESSORIES:

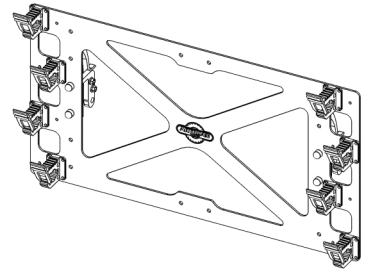
ROPS MOUNTED TOOLBOX, X-LARGE
P/N: 1RMTBXL



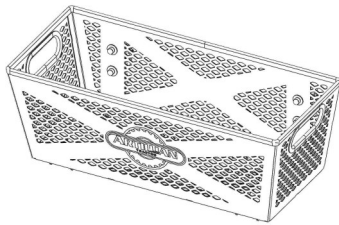
ROPS MOUNTED TOOLBOX, LARGE
P/N: 1RMTBXS



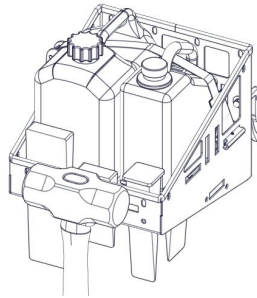
ROPS MOUNTED TOOL RACK
P/N: 1RMTRK



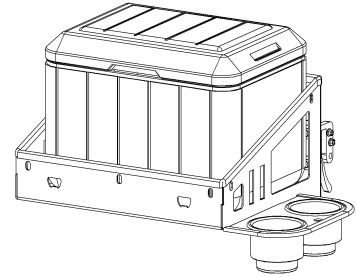
ROPS MOUNTED TOOL BASKET
P/N: 1RMTBSK



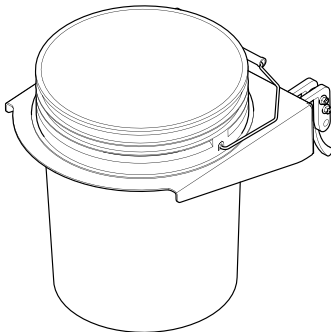
ROPS MOUNTED FUEL CAN HOLDER
P/N: 1RMFCH
(fuel cans and accessories shown for illustration purposes)



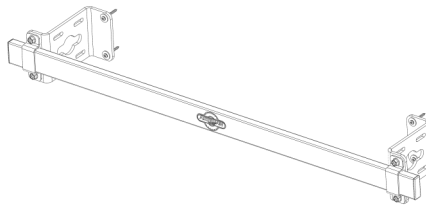
BEVERAGE COOLER HOLDER
P/N: 1RMBCH
(cooler shown for illustration purposes)



ROPS MOUNTED 5-GALLON BUCKET
HOLDER - P/N: 1RM5GBH
(Bucket shown for illustration purposes)



TOOL BAR WALL MOUNT
P/N: 1RMTBWM



MORE ACCESSORIES COMING SOON!