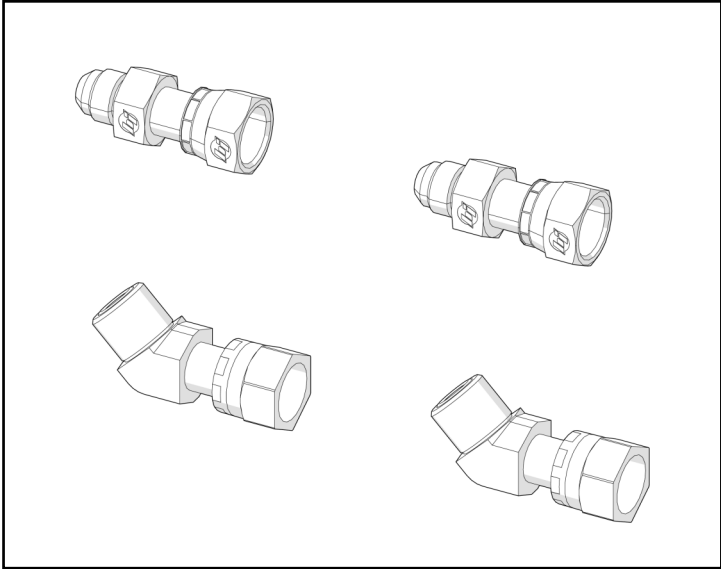




**ARTILLIAN 220R SINGLE POINT  
HYDRAULIC CONNECTOR ADAPTER KIT  
P/N: HDK-220R-SPHA**



Approximate Installation Time
Experienced Dealer Technician – 5 Minutes
Average Dealer Technician – 10 Minutes
Do-It-Yourself – 15 Minutes

This kit accommodates the installation of an Artillian **HDK-220R-PTL Hydraulic Diverter Kit** onto a John Deere 220R Loader with the **John Deere Single Point Hydraulic Connector** installed.

Just four additional fittings are required to adapt the kit. Simply replace the QD fittings on the P1 & P2 hoses with the adapter fittings supplied in this kit and then follow the instructions supplied with the HDK-220R-PTL.

**Register** your new product quickly online at [Artillian.com/product-registration/](http://Artillian.com/product-registration/)



Artillian encourages all customers to register their Artillian products. However, failure to do so will not diminish right to warranty. Curtis Industries does not sell or share your information with anyone else.

**Download** a digital copy of your installation instructions online at [Artillian.com/literature/](http://Artillian.com/literature/)



Artillian strives to continuously improve our products, technical documentation, etc. Therefore, the installation manual for this product may have been updated after your product was packaged. The latest revision of the installation manual can always be found at the website above.

The contents of this envelope are the property of the owner. Leave with the owner when installation is complete.

# KIT PREPARATION

## Hose Fitting Replacement

The two 45° male quick disconnect fittings found on the "Gang of 2" (P1 & P2) hoses must be replaced with the 3/8 JIC Male to 3/8 ORFS Female fittings and Male 3/8 ORFS to 3/8 Female ORFS 45° fittings included in this kit. See figures 1 and 2.

### Tools Required:

9/16" Wrench  
 11/16" Wrench  
 3/4" Wrench  
 Adjustable Wrench (Optional)

1. Locate the 45° fittings at the end of the P1 & P2 hoses. Holding the body of a 45° fitting with a 9/16" wrench, rotate the swivel fitting on the hose with an 11/16" wrench. Remove both the 45° fittings and the male quick disconnect fittings from the hoses. These fittings will not be reused.
2. Install the adapter fittings supplied in this kit to the #6 JIC female swivel fittings retained on the end of the hoses.

**Proceed to HDK-220R-PTL installation manual.**

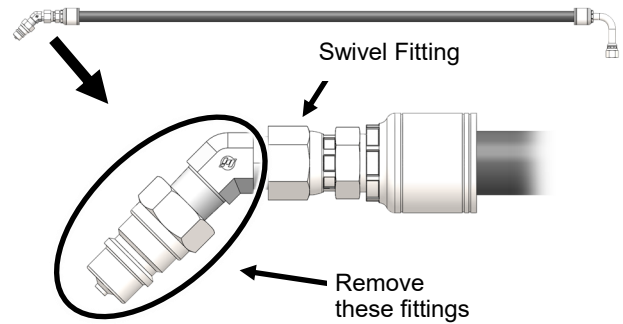


Fig. 1 (P1 & P2 Hose - Original QD Fittings)

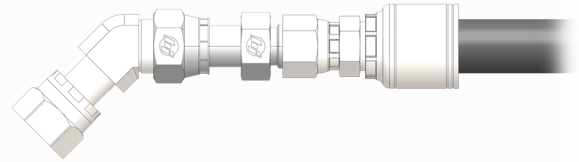


Fig. 2 (P1 & P2 Hose - Fittings Replaced)

## Warranty

Artillian, LLC warrants to the original purchaser that this product will be free from defects in material and workmanship for a period of **90 days** from the date possession taken by the original purchaser for use with Artillian hydraulic products and used as intended and under normal service and conditions for personal use. If not purchased for use with Artillian hydraulic products (e.g. Grapple, Plow Adapter, etc.) the warranty period is limited to **30 days**.

Finishes (coatings, labels, & decals) are not inclusive. Artillian, LLC reserves the right to inspect items claimed to be defective in material or workmanship. Artillian LLC's obligation under this warranty is limited to repair or replacement with a nearest similar part.

This Warranty will not apply to any part or product which in Artillian LLC's judgment shall have been misused or damaged by accident, abuse, misapplication, fire, negligence, or lack of normal maintenance or care, or which has been altered or repaired in a way which adversely affects its performance or reliability, or which has been used for a purpose for which the product is not designed.

Artillian, LLC's obligations under this warranty, to the extent allowed by law, is in lieu of all warranties, implied or expressed, including implied warranties of merchantability and fitness for a particular purpose and any liability for incidental and consequential damages with respect to the sale or use of the product warranted. In any event, liability on behalf of Artillian LLC is limited to the original purchase price.