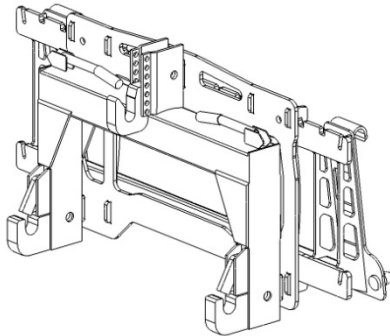




3pt Quick Hitch Adapter Installation Instructions

For the Artillian JDQA & JDPO Pallet Fork Frames

The Artillian 3pt Quick Hitch adapter turns your Artillian pallet fork frame into a tool to attach 3pt tractor implements to the front end loader of your tractor, such as landscape rakes, plows, aerators, trenchers, etc.



Parts Included

1. (1) Adapter Plate
2. (2) Tethered lock keys

Please review these instructions before installing!

1. Remove the fork tines from your Artillian frame.
2. Dangle the Tethered Lock Keys over the front side of the adapter plate.
3. Lift the adapter plate with the 3pt connection points facing away from the fork frame rails. The away facing side will have the “hooks” that will mount on the rails of your fork frame.
4. Approach the fork frame at either end of the fork rails. Set a top hook of the adapter plate on the upper fork rail, align the lower hook with the lower rail then carefully slide the adapter plate completely on to the center of the fork frame. **WATCH FOR PINCH POINTS AS YOU SLIDE THE PLATE ON.** See Fig 1

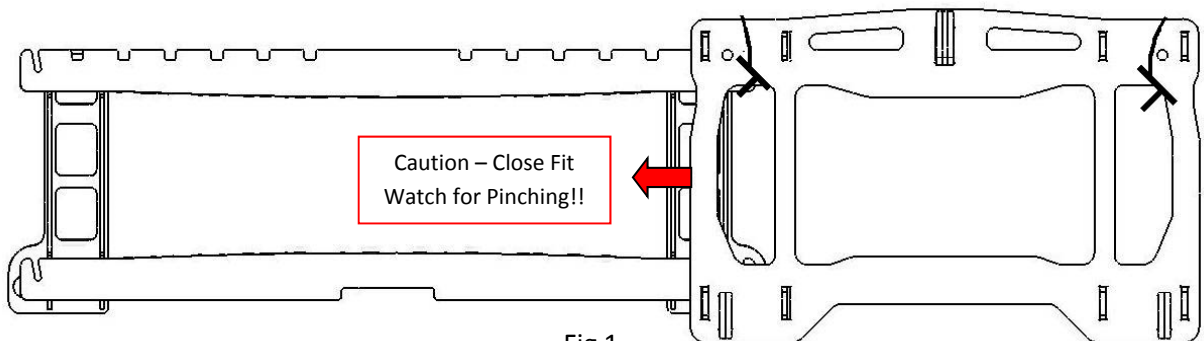


Fig 1

5. Once the plate is centered on the fork frame, install the two Lock Keys through the plate and through the aligned slots in the fork rails. See Fig 2

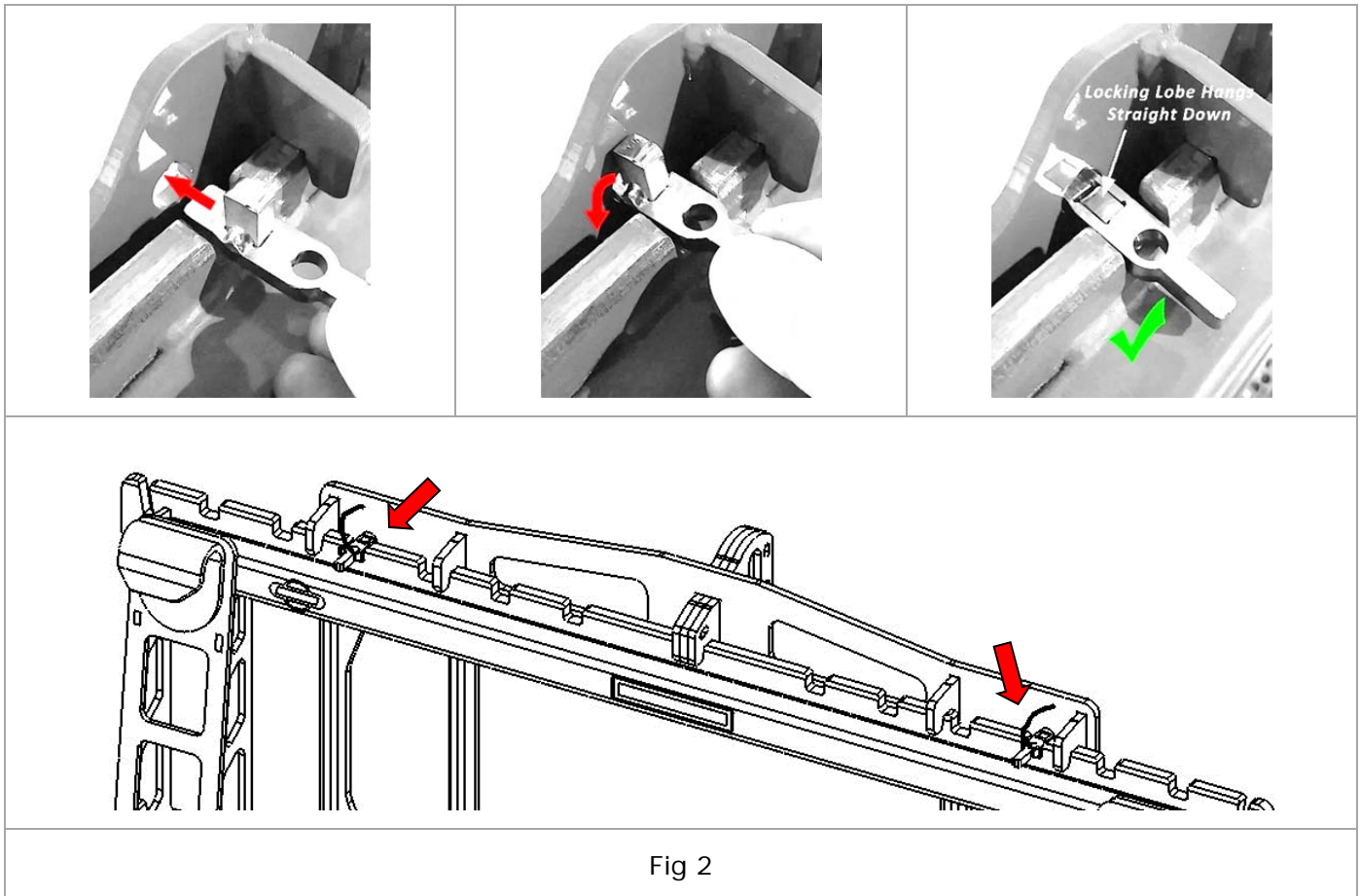


Fig 2

6. The adapter is now installed. To attach your Quick Hitch to the adapter, one suggested method is to stand it up on the ground, lower the loader close to the same height and approach the Quick Hitch from behind with the tractor. Then, just tip the Quick Hitch as needed to get the top pin through the mounting holes. Then, lift the loader up to waist height and finish installing the two lower attaching pins.
7. Attaching your 3pt implements to the Quick Hitch is nearly the same as attaching them on the rear of your tractor. The exception is that the dump/curl circuit of your loader allows you to tip the Quick Hitch to get the best angle for hooking the top pin.
8. Remember to lower the locking levers on your Quick Hitch after your implement is attached!

All safety guidelines illustrated in your tractor and loader owner's manuals should be observed whenever using Artillian attachments. Thank you and be safe!

Be especially cautious when back dragging with any implement. Debris can be thrown directly at you. Proper protection should be worn and care should be taken to move slowly and at a safe working angle to minimize this danger. FAILURE TO OBSERVE THIS COULD KILL YOU!