

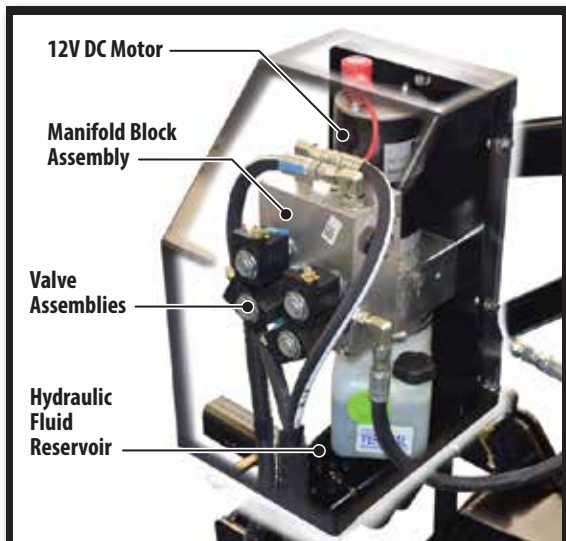


CURTIS HYDRAULIC UTILITY VEHICLE PLOW



Hydraulic UTV Plow
(PN: 1UTVP)
Shown with Optional Blade Markers

FULLY ENCLOSED HYDRAULICS



REMOVE 4 COVER BOLTS FOR EASY ACCESS

Illuminated 4-button hand-held controller

HYDRAULIC PLOW FEATURES

Full hydraulic lift and angle control

Full trip, durable 12-gauge steel, 72" wide moldboard with 48" push frame & adjustable trip springs

Reversible cutting edge & adjustable skid shoes included

Custom Mounts for:

John Deere Gator XUV 615, 625, 815, 825 & 855: 2011 and newer

John Deere Gator XUV 835, 865: 2011 and newer

Polaris Ranger XP900: 2013 ~

Club Car XRT1551

Kawasaki Mule Pro FX/DX, Pro FXT/DXT



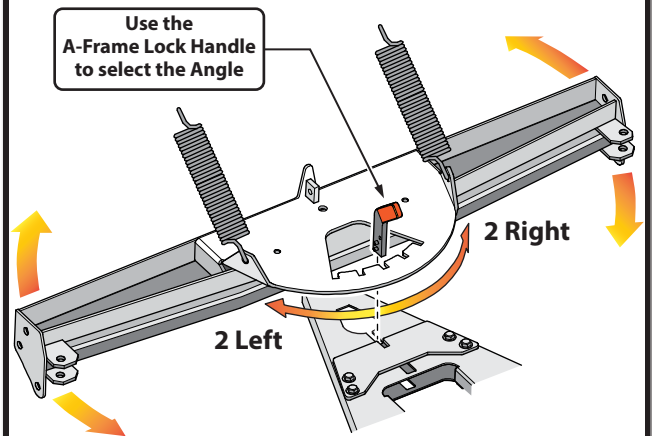
CURTIS WINCH LIFT UTILITY VEHICLE PLOW



UTV Winch Plow
(PN: 1UTVPW)

Five Locking Blade Angles

The A-Frame Locking Handle makes Adjusting the Blade Angle Quick and Easy for Efficient Plowing



Pull Lock Handle Forward, Angle the Moldboard, then Push the Lock Handle Back to Lock

WINCH LIFT PLOW FEATURES

Standard 2" Receiver Mount

Compatible with your Existing Winch System

Adjustable Trip Springs

Durable 12-Gauge Steel 72" Moldboard & 48" Push Frame

Reversible Cutting Edge & Adjustable Skid Shoes are Standard

FAST-CAST 300 SPREADER

- 3.0 Cubic Feet/180 Lb. Capacity
- 4-20 Ft. Spreading Width
- Modular Steel Frame
- 10" Steel Spinner
- 12 Volt DC/7-10 Amp Direct Drive Motor
- For Rock Salt
- High-Density UV Protected Polymer



FAST-CAST 400 SPREADER

- 3.0 Cubic Feet/180 Lb. Capacity
- 4-20 Ft. Spreading Width
- Modular Steel Frame
- 10" Steel Spinner
- 12 Volt DC/7-10 Amp Direct Drive Motor
- For Light Rock Salt, Fertilizers and Fine Material Grade Applications
- High-Density UV Protected Polymer



FAST-CAST 2000 SPREADER

- 5.0 Cubic Feet/350 Lb. Capacity
- 4-40 Ft. Spreading Width
- Modular Steel Frame
- 10" Steel Spinner
- 12-15 Amp Draw
- For Rock Salt
- High-Density UV Protected Polymer



All brand names are trademarked by their respective companies. Curtis Industries and its products are not endorsed or affiliated with any of these companies.