



Universal Tractor Canopy Latch Hardware Replacement

p/n: 9SV-HWK-00138

INSTALLATION INSTRUCTIONS

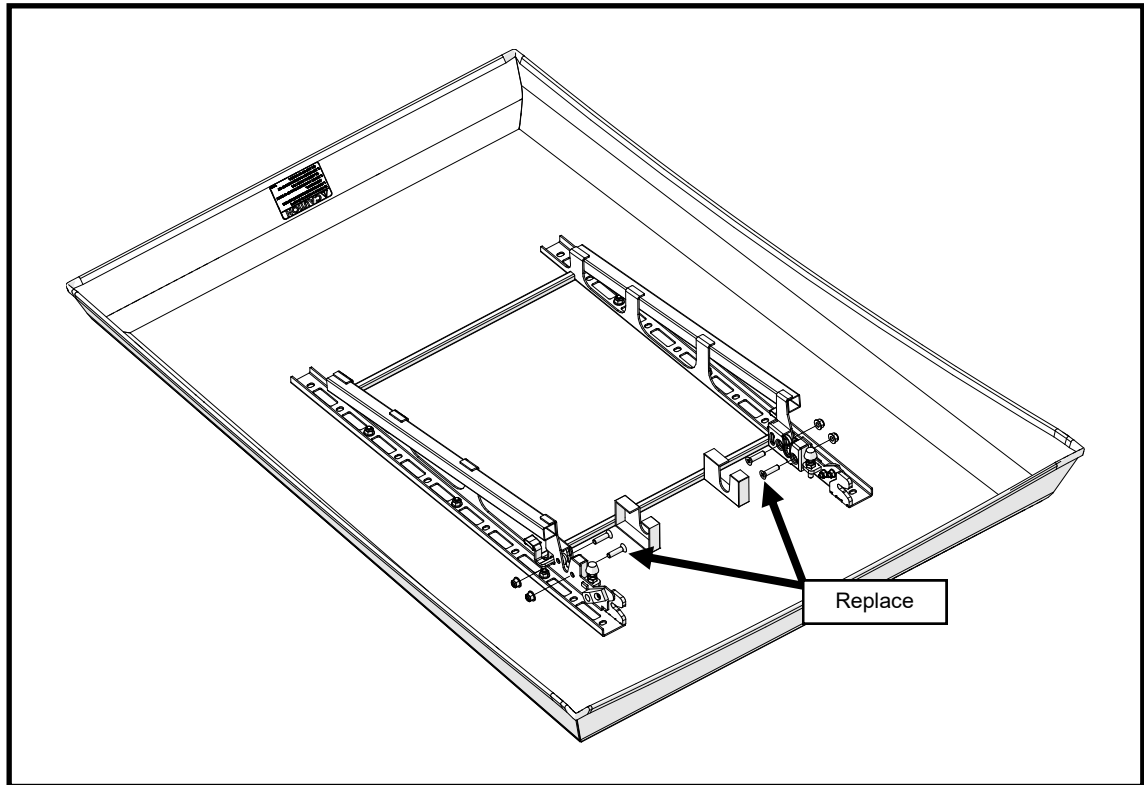


Fig. 1 (Replace Latch Hardware with 1/4" longer screws)

1. Remove canopy if it is attached to a vehicle and set it upside down on a soft surface to prevent scratching.
2. Remove the left plastic cover for the latch. See Figure 1.
3. Remove and replace the (2) Flat Head Screws and (2) Hex Nuts and replace with ones provided in the kit.
4. Replace the plastic cover.
5. Repeat steps 2-4 on the right side.
6. Attach the canopy to the Striker Plate and verify the latches will double click. If not, adjust the bumpers accordingly.