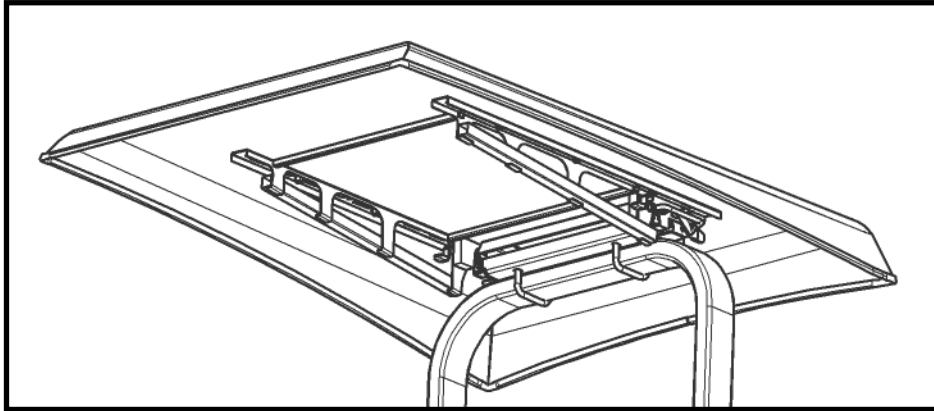




Universal Tractor Canopy

p/n: 1UTCTBxx (xx designates paint code)



NOTE: Park vehicle on level ground.

1. Remove the striker plate - ROPS plate assembly from the canopy frame by unlatching and lifting out. Separate the ROPS plate from the striker plate by removing and discarding one screw from each side of the assembly.
2. Position the ROPS plate on top of the ROPS, with the slots for the U-bolts to the rear of the tractor. If the threads of the U-bolts do not stick down through the ROPS plate, install four 1/2" washers over each leg of the U-bolts. Install nuts onto the U-bolts. Adjust the position of the ROPS plate so U-bolts are in contact with the front face of the ROPS (to ensure it is parallel with the ROPS). If required, rotate the U-bolts in the slots so they are tight to the back of the ROPS. Center the ROPS plate left to right and tighten the U-bolts.
3. Attach the Striker Plate to the ROPS Plate using the supplied 1" long 5/16-18 screws. Take care not to cross thread the weld nuts. Use a level to set desired plate angle, then tighten screws.

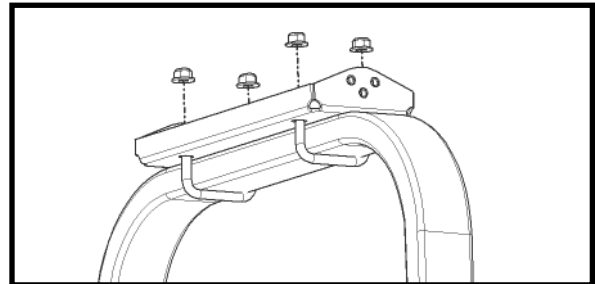


Fig. 2 (Attach ROPS Plate)

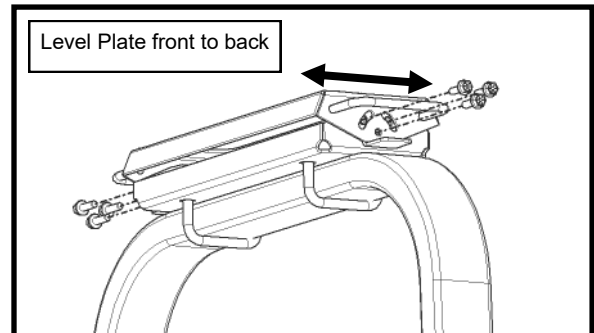


Fig. 3 (Attach Striker Plate)

INSTALLATION INSTRUCTIONS

Canopy Installation

4. Latch the canopy frame into the striker plate. Position the canopy on top of the frame. The frame has multiple slots in it to allow the canopy to move front to back a total of 12". For reference:
- For forward leaning ROPS, use rearward holes
 - For Vertical ROPS, use center holes.
 - For rearward leaning ROPS, use forward holes.

Line up the holes in the canopy with the slots in the canopy frame in the position that best suits your application. Note and/or mark the position and remove the canopy and frame from the tractor. Attach roof to frame using supplied hardware, 3/4" long 5/16-18 screws through steel, rubber washer, then roof. Place roof against and secure using 5/16-18 nuts.

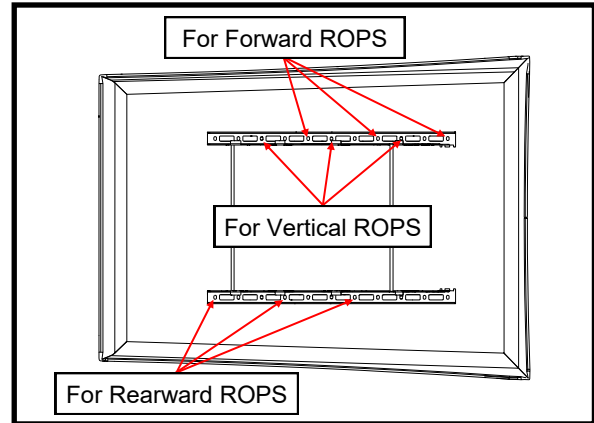


Fig. 4A (Hole Alignment)

5. Loosen the jam nut on each bumper (ref. figure 5B), then mount and latch the canopy per fig. 5A. With one hand, push upwards on the canopy to take up the play in the latches. With the other hand, unthread both bumpers down finger tight to the striker plate. Unlatch and pivot the canopy up to further unthread each bumper equally one full turn at a time. Re-latch and check latching resistance after each adjustment. The bumpers should stabilize the canopy and it should require downward force to latch, but not so much that double clicking the latches becomes difficult. Unlatch a final time and tighten the jam nut on each bumper.

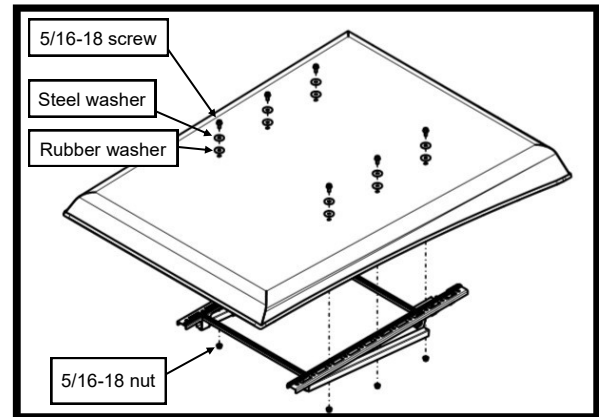


Fig. 4B (Attach Roof to Frame)

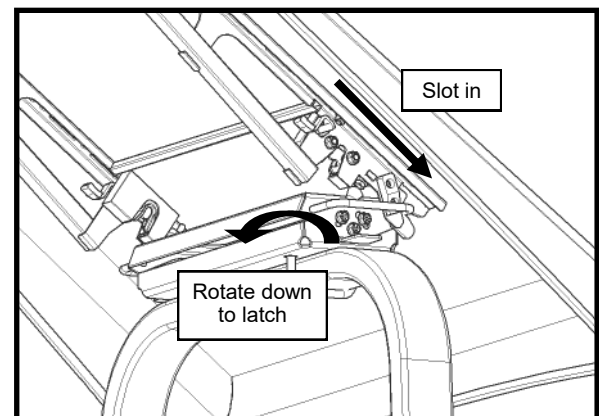


Fig. 5A (Latch Canopy)

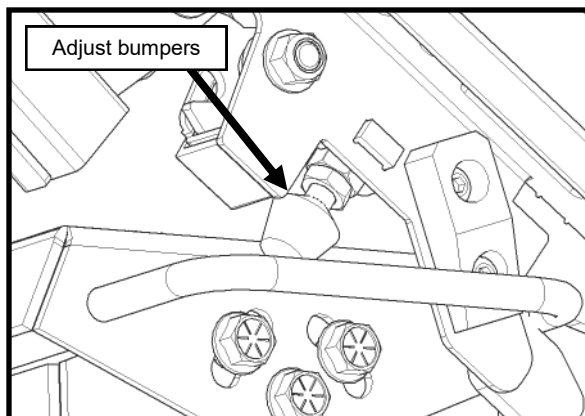
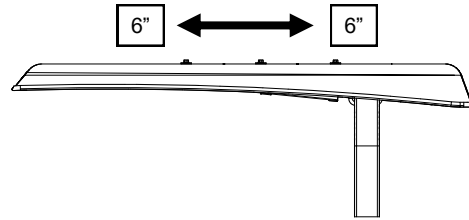


Fig. 5B (Adjust Bumpers)

CANOPY FEATURES AND SERVICE PARTS

ADJUSTABLE FRONT TO BACK ±6"

For proper sun or rain coverage, the canopy can be adjusted front to back in 3" increments up to 6" in either direction. To adjust, unbolt the canopy from the Latching Weldment, move it to a different set of mounting slots, and bolt it back together.

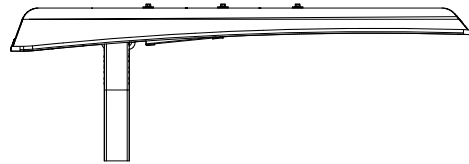


TOOL-LESS REVERSIBILITY

The canopy can be reversed in seconds without tools if shade or rain protection is desired when using a backhoe.

To reverse:

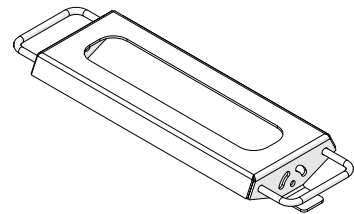
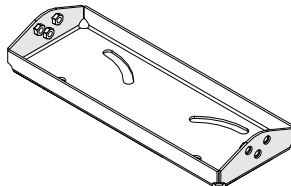
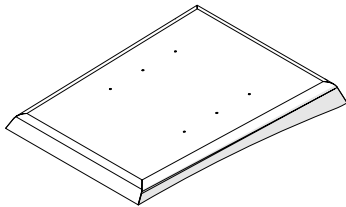
- 1) Unlatch canopy as if it would be removed normally.
- 2) Re-latch canopy in the reversed position.



CANOPY, ALUMINUM, UTC
 P/N: 101-00035-TB (texture black)
 P/N: 101-00035-JG (John Deere green)
 P/N: 101-00035-O (Kubota orange)
 P/N: 101-00035-CG (gray)
 P/N: 101-00035-MHR (Mahindra red)
 P/N: 101-00035-OW (Oxford white)

MOUNTING PLATE, UTC
 P/N: 8SV-WA-00268

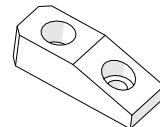
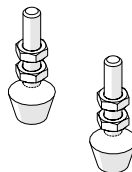
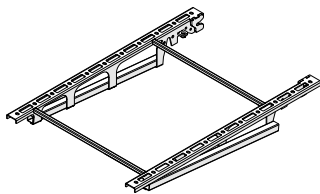
STRIKER PLATE, UTC
 P/N: 8SV-WA-00269



CANOPY FRAME
 P/N: 8SV-WA-00270

BUMPERS (2)
 P/N: 9SV-79-89-0044

ALIGNMENT BLOCK, PLASTIC, UTC
 P/N: 9SV-P-00088



PART NUMBER	DESCRIPTION
9SV-HWK-00093	HARDWARE KIT, UNIVERSAL TRACTOR CANOPY