

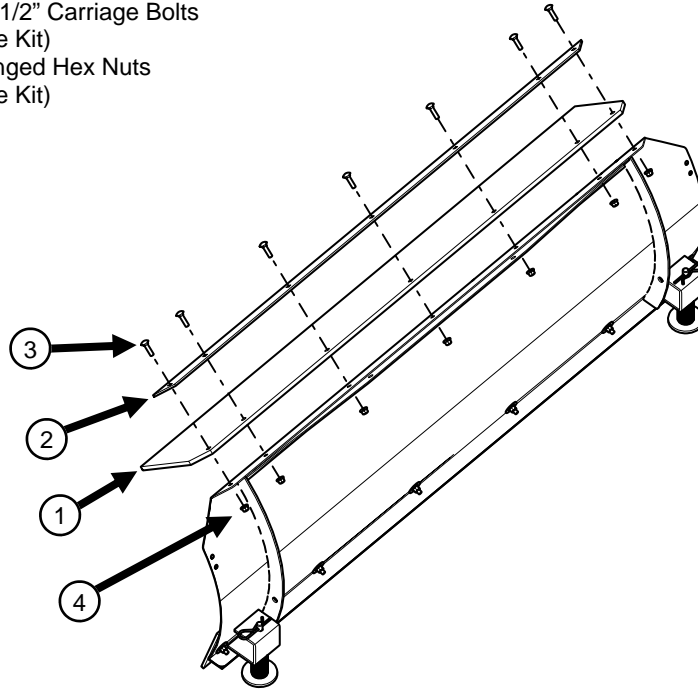


60" SNOW DEFLECTOR KIT 1UTV60SD

Rubber Snow Deflector for Curtis Utility Vehicle 60" Plow

Parts Included:

- (1) Snow Deflector for 60" UTV plow
- (1) Snow Deflector Strap
- (7) 5/16-18 x 1-1/2" Carriage Bolts
(in Hardware Kit)
- (7) 5/16-18 Flanged Hex Nuts
(in Hardware Kit)



INSTALLATION:

- Place the rubber snow deflector (1) onto the top edge of the plow moldboard with the mounting holes lined up with the holes in the moldboard.
- Place the steel strap (2) on top of the rubber deflector and attach using seven 5-1/6-18 x 1-1/2" Carriage bolts (3) and 5/16-18 Nylon flanged lock nuts (4).
- Tighten the lock nuts enough to securely hold the snow deflector assembly in place, but not enough to crush the rubber in the area around the bolt holes.

Approximate Installation Time *

Experienced Dealer Technician – 10 minutes

Average Dealer Technician – 15 minutes

Do-It-Yourself – 20 minutes

(* = Not including accessories)

Approximate Product Specifications

Weight: 12 lbs.**

(** = Contents of this kit only)

The contents of this envelope are the property of the owner. Leave with the owner when installation is complete.

Thank you for choosing Artillian!

Rev. A, 11/21/2018