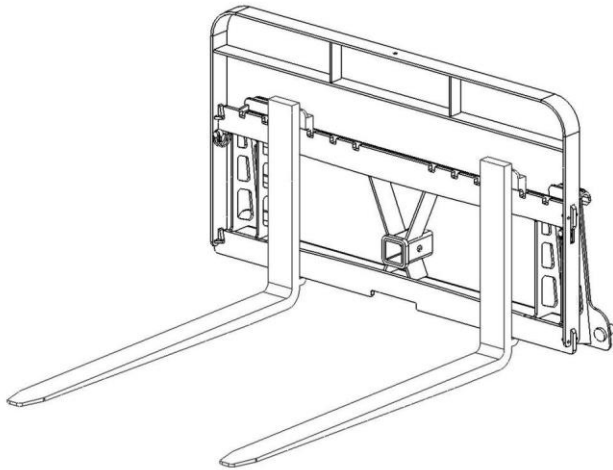




Removable Backrest – p/n: 5-BR

For all Artillian Pallet Fork Frames with Chain Slots in the Fork Rails



Parts Included

1 Backrest Frame & 2 Snap Pins.
(Snap Pin service p/n is 9SV-1CP115,
for one pin)

Specifications

Design Load : 500 lbs (227 kg) against
top edge

Weight : 23 lbs (10 kg)

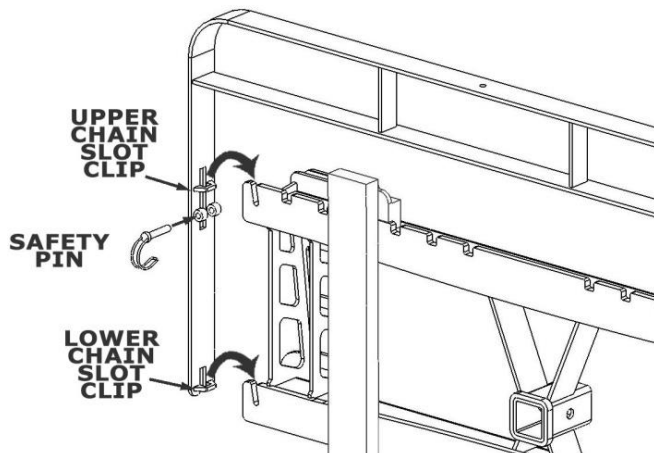
Install Time : < 1 minute

Features & Limitations



1. The fork frame chain slots may still be used with the Backrest. 5/16" link chain will fit, but 1/4" link chain is recommended while the Backrest is installed.
2. If using the Artillian Grapple, the Backrest **MUST** be removed from the pallet fork frame. Otherwise, the Grapple hoses will impact the Backrest, causing damage.
3. The Backrest should never be used for pulling, pushing or other loading. It is intended as a safety mechanism only.

How the Backrest Attaches to the Pallet Fork Frame



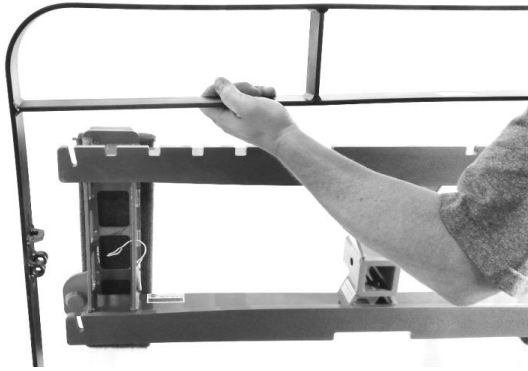
The Artillian Removable Backrest attaches to the pallet fork frame via four Clips that engage into the chain slots on the fork frame.

To install, first attach one end of the Backrest Frame to the Pallet Fork Frame. Then, bow outward and upward the other end of the Backrest Frame to pass the Frame over the ends of the fork rails and engage the remaining Backrest Clips into the corresponding chain slots.

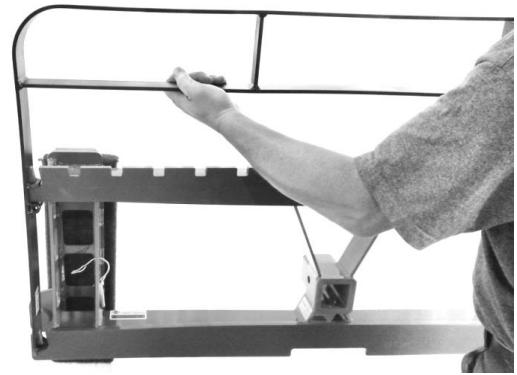
Finally, install two Safety Pins in the Backrest Frame to secure the Backrest to the Pallet Fork Frame.

(Detailed instructions next page)

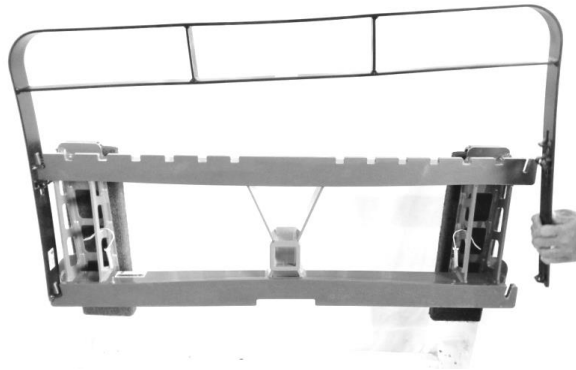
Attaching Instructions



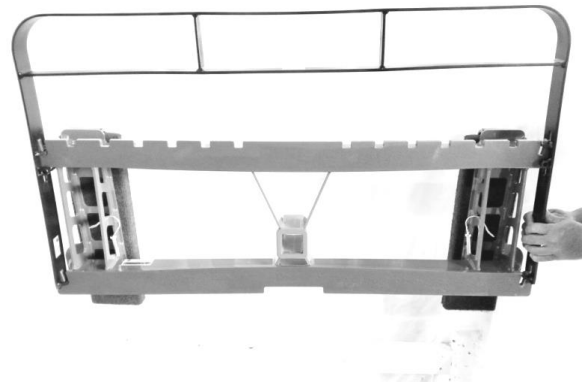
1. Lift Backrest and approach fork frame



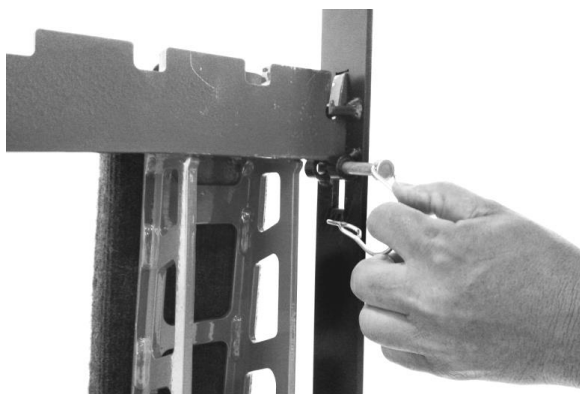
2. Set Upper & Lower Backrest Clips in fork rail chain slots.



3. At the other end, pull upward & outward enough for Backrest Frame to pass over the ends of the fork rails.



4. Engage Upper and Lower Backrest Clips into fork rail chain slots. Settle on fully.



5. Insert Safety Pins fully thru both bosses (both ends)



6. Latch Safety Wires on Pins (both ends)

Reverse these Instructions to Detach

All safety guidelines illustrated in your tractor and loader owner's manuals should be observed whenever using Artillian forks. Thank you and work safely!