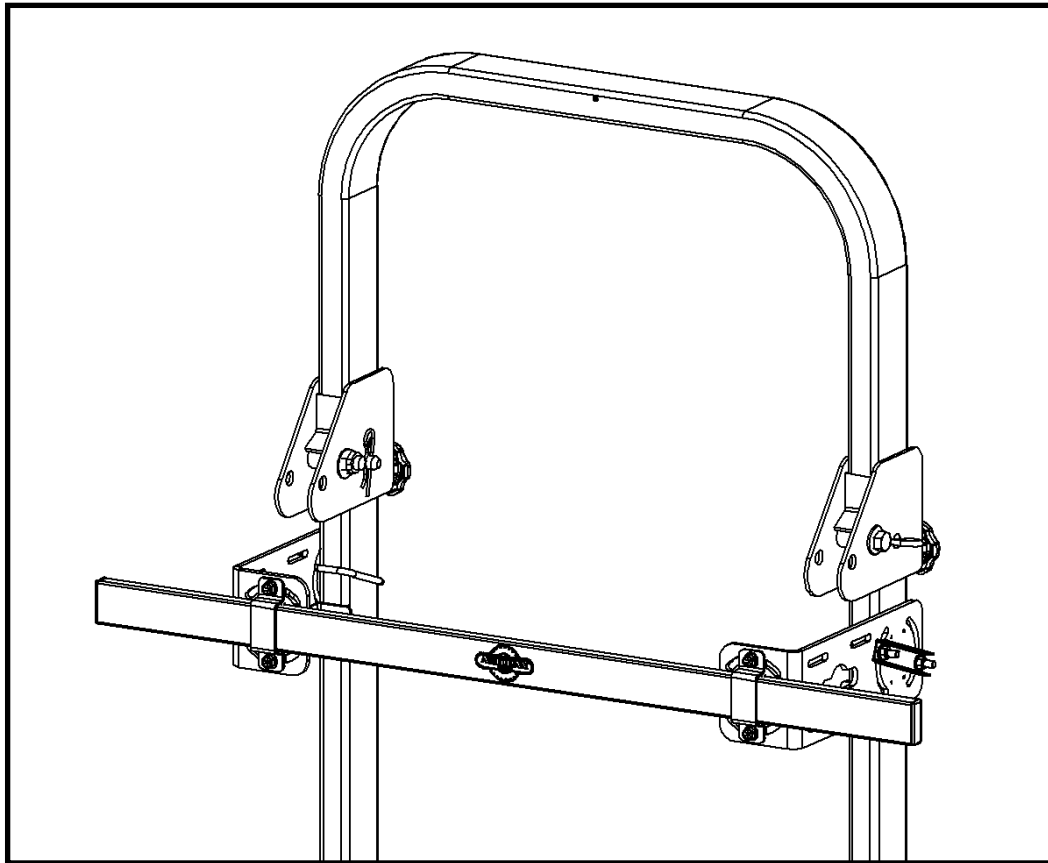




ARTILLIAN ROPS MOUNTED TOOL BAR P/N: 1RMTB



The Artillian ROPS Mounted Tool Bar is an innovative system for attaching accessories to your 2-Post tractor ROPS. It attaches to most rectangular ROPS profiles in minutes. At 42" wide, it adjusts to fit many different ROPS widths, without overhanging the rear tires on sub-compact models. Simple, yet elegant mounting brackets provide limitless adjustability, conforming to nearly any ROPS angle in either direction.

The proprietary *Cam Lever Latching* feature found on the many optional accessories allows for installation and removal of a given accessory in seconds.

Approximate Installation Time	Approximate Product Specifications
Experienced Dealer Technician – 15 Minutes	Mounting Bar Width: 42 inches
Average Dealer Technician – 25 Minutes	Weight: 9.76 lbs. (not including accessories)
Do-It-Yourself – 45 Minutes	Capacity: 100 lbs. (including accessories)



CAUTION

Do not exceed the rated capacity for the Tool Bar or its accessories. Doing so may result in damage to the Tool Bar and will void the warranty.

The contents of this envelope are the property of the owner. Leave with the owner when installation is complete.

All images shown are for illustration purposes only. Actual product may vary due to product enhancement.

MOUNTING CONFIGURATION OVERVIEW

This kit is designed to accommodate many sizes and shapes of vehicle ROPS (Roll-Over Protective Structures). Per the illustrations on this page, the brackets may face inward or outward, and may be attached to the inside or outside face of your ROPS. Included in the kit are square U-bolts and curved slots for universal fitment with most tractors.

Artillian strives to continuously improve our products. As such, a recent design enhancement was made to the mounting brackets to add straight vertical slots to allow for fitment with some vehicle ROPS that have factory drilled holes. If using these slots, it is recommended that the installer determine and source the appropriate size and length of fasteners for their specific ROPS. Please note, in order to promise fast delivery times, we maintain stocking levels on product and component parts. Therefore, your specific kit may or may not have these vertical slots.

Before installation, hold a ROPS bracket up to the vehicle ROPS and determine the desired orientation of the bracket. Some considerations are: ROPS width, ROPS angle, features on ROPS (ex.: lights, hinges, etc.), and the width of the user's implement.



WARNING

It is the user's responsibility to ensure that installation of this product does not affect the functionality of the vehicle ROPS or any other safety feature of the vehicle. Failure to do so may result in injury or death.

Due to the many variations between tractor models, the ROPS Mounted Tool Bar or some of its quick removal accessories may interfere with 3-point hitch operation on some vehicles. This interference may be avoided by adjusting the Tool Bar up or offsetting it to the left or right.

It is the responsibility of the installer to ensure that neither the Tool Bar or any installed accessories interfere with the 3-point hitch or any connected implements. If necessary, the quick-release Cam Lever Latches on the ROPS Mounted Tool Bar accessories allow a given accessory to be quickly removed for 3-point implement use.

1. Figure 1 shows a ROPS bracket mounted to the inside surface of a vehicle ROPS with the bar mounting surface facing outwards. The bracket can be flipped so that the bar mounting surface is facing inwards.
2. Figure 2 shows a ROPS bracket mounted to the outside surface of a vehicle ROPS with the bar mounting surface facing inwards. The bracket can be flipped so that the bar mounting surface is facing outwards.
3. Figure 3 shows a full-width illustration of ROPS brackets mounted to the outside surface of a ROPS with the bar mounting surfaces facing inwards. The ROPS brackets could also be mounted to the inside surface of the ROPS (not shown) or flipped so that the bar mounting surfaces are facing outwards (not shown).
4. Figure 4 shows a completed installation on an angled ROPS with the ROPS brackets mounted to the inside surface of the ROPS. The ROPS brackets could also be mounted to the outside surface of the ROPS (not shown).

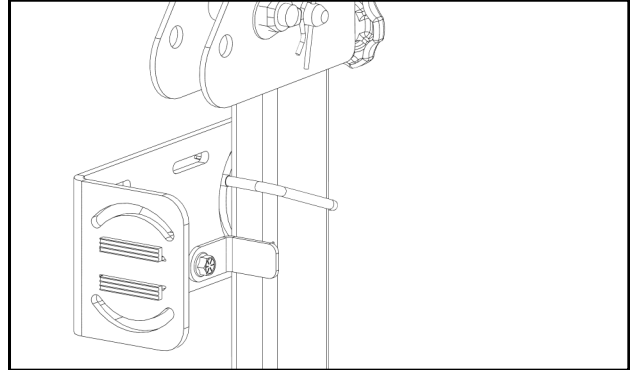


Fig. 1 (Bracket on inside of ROPS, facing outwards)

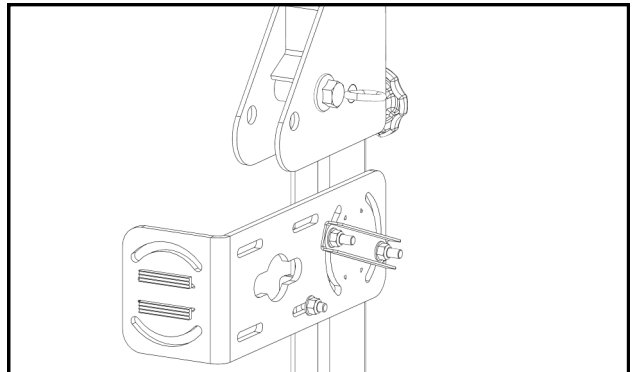


Fig. 2 (Bracket on outside of ROPS, facing inwards)

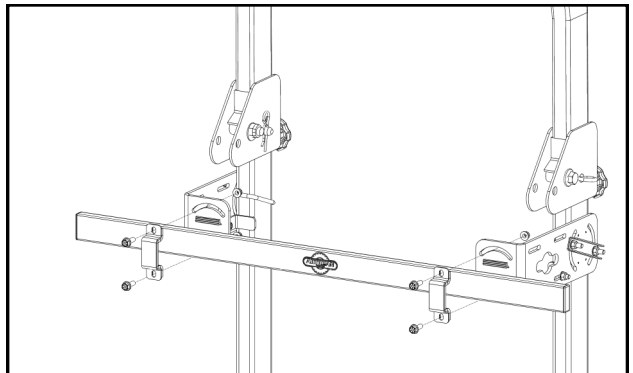


Fig. 3 (Brackets shown outside of ROPS)

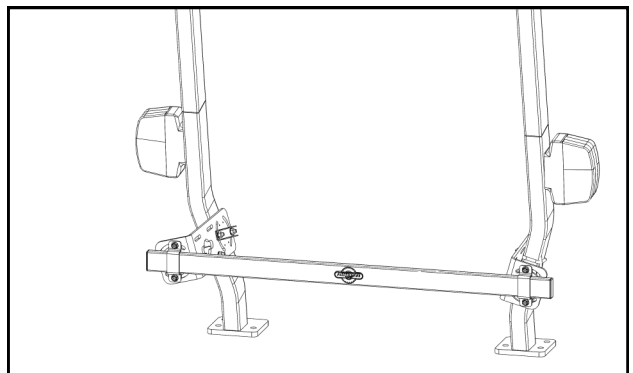


Fig. 4 (Angled ROPS, Brackets shown inside of ROPS)

KIT INSTALLATION

1. Park the vehicle on a flat, level surface.
2. Once a mounting configuration has been decided upon, make a temporary mark of some kind on the ROPS tubing for locating where to fasten the ROPS brackets. It is recommended that you take measurements off of a common feature on the ROPS so that the brackets will be in line with each other.
3. Cut the supplied 4-inch long piece of adhesive backed foam rubber in half. Per figures 3 and 4, adhere one of the 2-inch long pieces of foam rubber to the face of the ROPS bracket that will be against the vehicle ROPS. Select either the inside or outside surface. Position the foam rubber between the 4 guide notches provided in the bracket. Repeat for second bracket.

In order to accommodate various sized ROPS profiles, two different lengths of U-bolt have been provided. Please select the most appropriate size for your ROPS and discard the other two.

4. See figures 4a, 4b, and 4c. Attach the ROPS bracket to the ROPS with the bent flange facing rearward of the vehicle, using one U-bolt, one U-bolt clamp, and 2 locknuts. The U-bolt clamp should sit flat on the outside face of the ROPS bracket. The U-bolt should be rotated in the curved slots in the ROPS bracket so that the legs of the U-bolt contact each side of the ROPS tube. Leave locknuts loose, but snug. Repeat for the second ROPS bracket.
5. Using a level and/or a tape measure, confirm that the straightness is good and the desired height was achieved for both brackets. The mounting bar/tube from this kit may be used along with a level to make sure the two brackets are even. Tighten all 4 locknuts in an alternating pattern. *NOTE: It is recommended to use a C-clamp to clamp the ROPS bracket to the ROPS tube prior to tightening the fasteners. This helps to prevent bracket rotation while tightening.*

TIP: If it is anticipated that very heavy accessories (exceeding 50 lbs.) will be used on this mounting bar, then it is suggested to orient the mounting brackets with a slight upward pitch to accommodate any sagging or settling that may occur due to the weight.

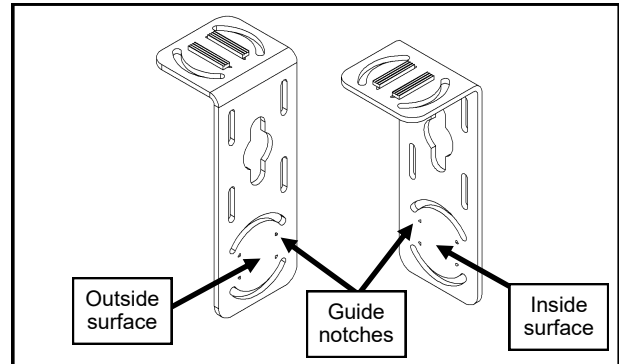


Fig. 3 (Adhere foam rubber to one surface)

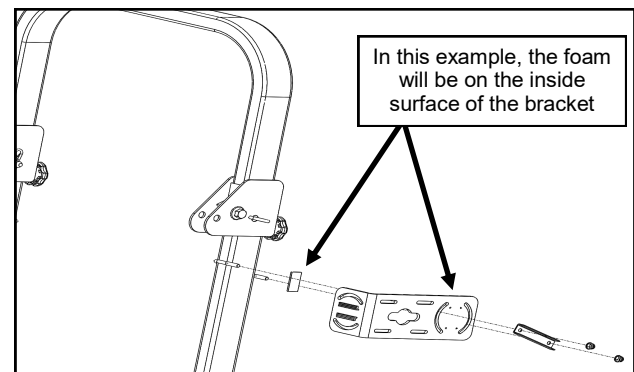


Fig. 4a (Example of bracket assembly)

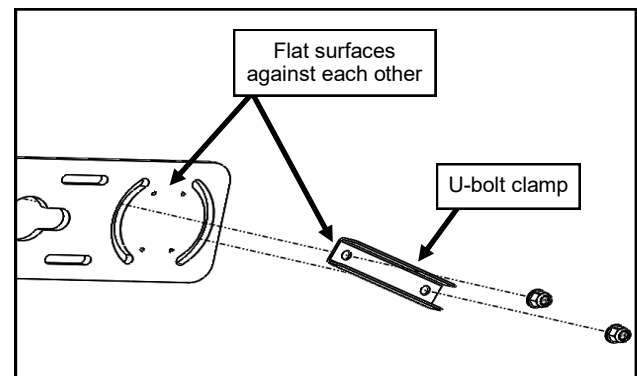


Fig. 4b (Orientation of U-bolt clamp)

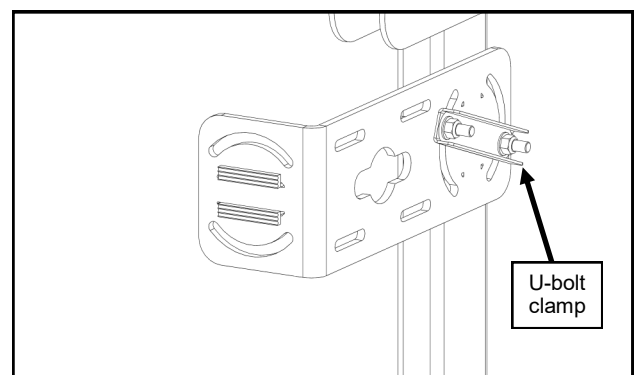


Fig. 4c (U-bolt clamp fully assembled)

KIT INSTALLATION

6. Per fig. 6, install the ROPS stabilizer bracket using one bolt and one locknut as shown. Make sure the bracket is tight up against the ROPS tubing before tightening the bolt in the slot. *It is recommended to use a C-clamp to clamp the stabilizer bracket to the ROPS tube prior to tightening the fastener.*
7. Attach the mounting bar to the ROPS brackets, oriented so the Artillian logo is away from the seat as shown in fig. 7. Use a tube clamp, two bolts, and two locknuts per bracket. Center the mounting bar to the ROPS and tighten bolts.
8. Check the mounting bar for levelness. Adjust if necessary.

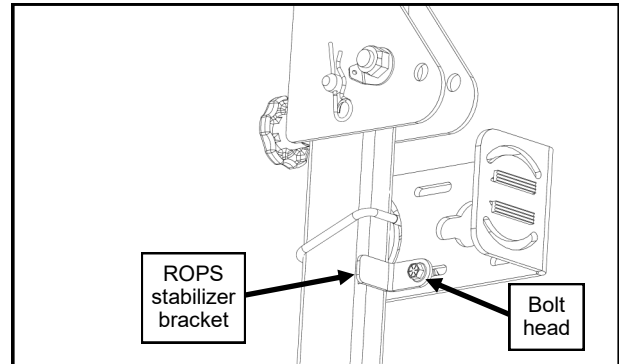


Fig. 6 (Install ROPS stabilizer bracket)

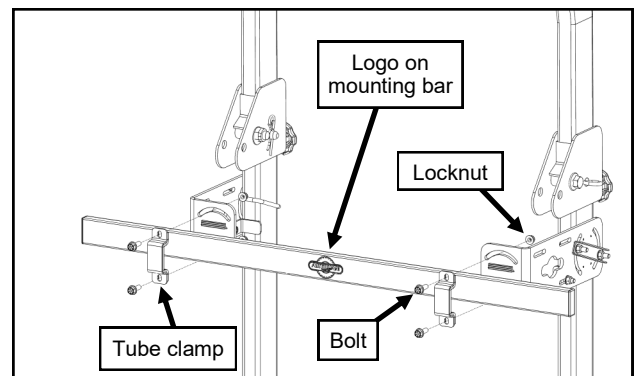


Fig. 7 (Attach mounting bar)

FEATURES AND OPERATION

FEATURES

The Artillian ROPS Mounted Tool Bar allows for one or more Artillian ROPS Mounted Accessories to be attached to the vehicle ROPS. Additional Tool Bars allow for additional accessories.

The innovation of the design is that any of the compatible accessories can be installed or removed from the Tool Bar in seconds, without the use of tools.

One job may require a toolbox filled with various hand tools. Another might necessitate a tool rack holding assorted long-handle yard tools or maybe a chainsaw mount and fuel can holder.

With the effortless installation and removal of each accessory, you won't waste any time setting up your tractor to carry the specific tool required for the job!

ATTACHING ACCESSORIES:

1. Figure 1 shows an example of a toolbox installed on a Tool Bar.
2. To install an accessory, have both cam levers rotated UP, then place onto the Tool Bar. See fig. 2.
3. To secure the accessory to the mounting bar, rotate both cam levers DOWN until they cam over. See fig. 3.

NOTE: The accessory can be locked to the Tool Bar by inserting a padlock through the holes in the mounting bracket where shown.

4. To remove an accessory, rotate both cam levers UP and lift the unit off of the Tool Bar.

OPERATION

1. Due to the excessive vibrations generated by a tractor, the ROPS Mounted Tool Bar fasteners may loosen up over time. It is recommended that the fasteners are checked and retightened, as required, regularly.
2. Depending on space availability on a give ROPS, a second Tool Bar can be added to allow for even more accessories to be attached at a time.

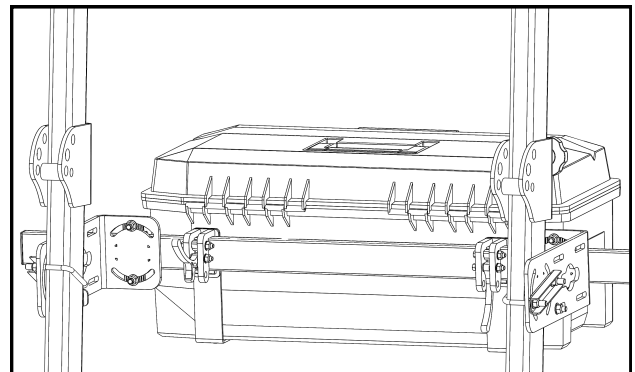


Fig. 1 (example of attaching a tool box)

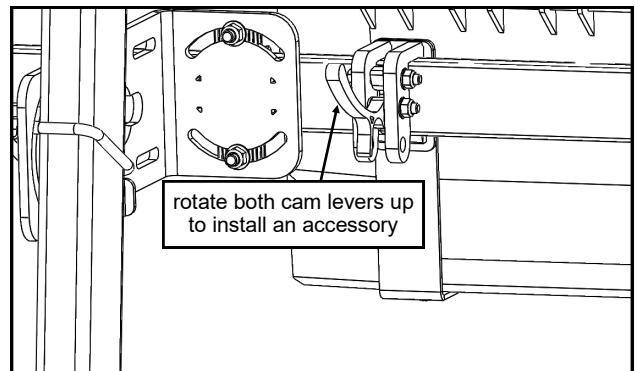


Fig. 2 (cam lever in the open position)

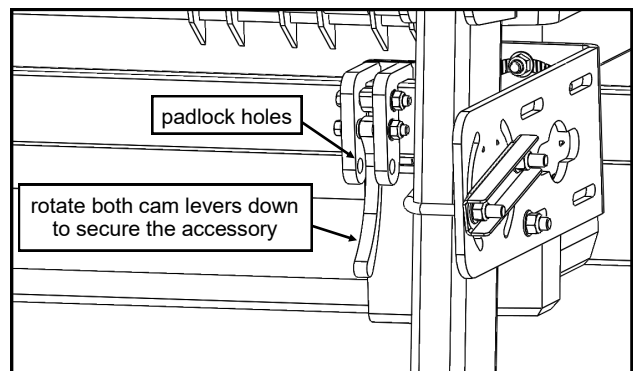
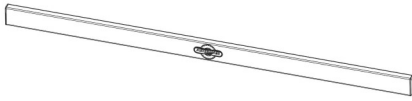


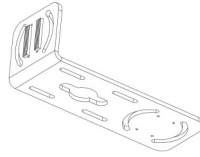
Fig. 3 (cam lever in the closed position)

SERVICE PARTS:

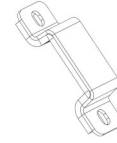
MOUNTING BAR ASSEMBLY
P/N: 8SV-113-00186 (QTY.: ONE)



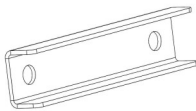
ROPS BRACKET ASSEMBLY
P/N: 8SV-110-00069 (QTY.: ONE)



TUBE CLAMP ASSEMBLY
P/N: 8SV-110-00068 (QTY.: ONE)



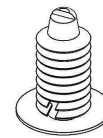
U-BOLT CLAMP PLATE
P/N: 8SV-SM-01592 (QTY.: ONE)



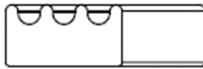
ROPS STABILIZER BRACKET ASSEMBLY
P/N: 8SV-110-00073 (QTY.: ONE)



PLASTIC TREE CLIPS
P/N: 9SV-CP01 (QTY.: 12)



1/2" V-GROOVE WEATHERSEAL
P/N: 9SV-PR20-10 (QTY.: 10 FEET)

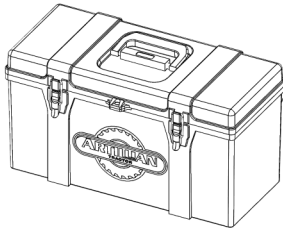


FOAM SEAL, 1" X 1/8"
P/N: 9SV-PR39-5 (QTY.: 5 FEET)

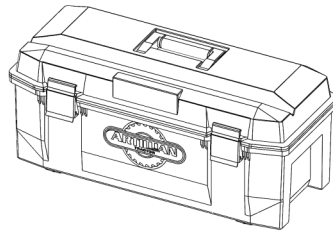


AVAILABLE ACCESSORIES:

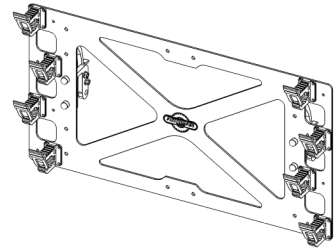
ROPS MOUNTED TOOLBOX, LARGE
P/N: 1RMTBXS



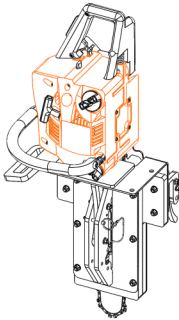
ROPS MOUNTED TOOLBOX, X-LARGE
P/N: 1RMTBXL



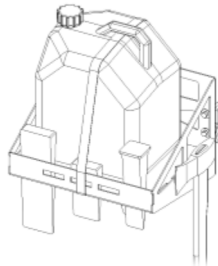
ROPS MOUNTED TOOL RACK
P/N: 1RMTRK



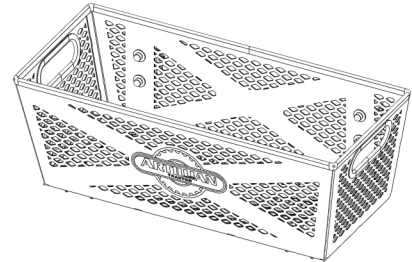
ROPS MOUNTED CHAINSAW MOUNT
P/N: 1RMCSM
(chainsaw shown for illustration purposes)



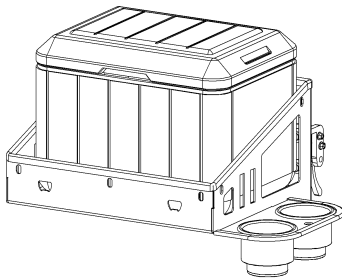
ROPS MOUNTED FUEL CAN HOLDER
P/N: 1RMFCH



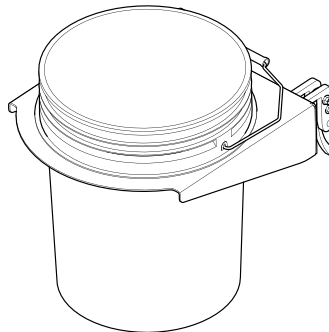
ROPS MOUNTED TOOL BASKET
P/N: 1RMTBSK



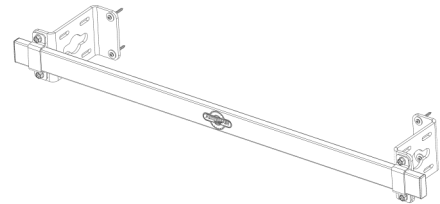
BEVERAGE COOLER HOLDER
P/N: 1RMBCH
(cooler shown for illustration purposes)



ROPS MOUNTED 5-GALLON BUCKET
HOLDER - P/N: 1RM5GBH
(Bucket shown for illustration purposes)



TOOL BAR WALL MOUNT
HOLDER - P/N: 1RMTBWM



MORE ACCESSORIES COMING SOON!