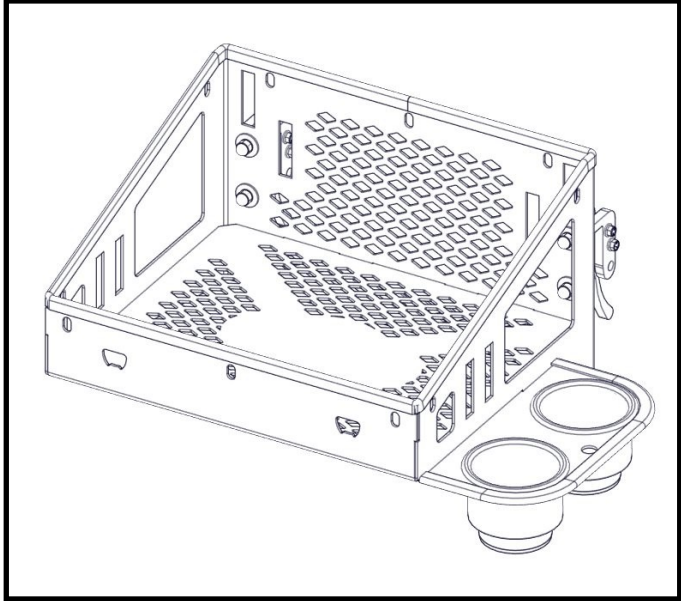




**ARTILLIAN ROPS MOUNTED
BEVERAGE COOLER HOLDER
P/N: 1RMBCH**

For use on Artillian ROPS Mounted Tool Bar (P/N: 1RMTB) (sold separately)



Comes with 15ft long x 1 inch wide E-Track Cam-buckle Strap (not shown)

The Artillian Beverage Cooler Holder is the perfect accessory for a full day out on the tractor. Large enough to hold most 12-pack coolers, you now have a place to store your lunch and some ice cold drinks! An included cam buckle strap with E-track fittings securely holds a cooler in place and allows for quick removal on the go. Many E-track locking positions suit various cooler sizes and orientations. Texture black powder coat, integrated bottle openers, and two included cup holders round out the design.

Integrated Cam Lever Latches securely lock onto the Artillian ROPS Mounted Tool Bar (sold separately) in seconds without the use of tools.

Approximate Set-Up Time
Experienced Dealer Technician – 15 Minutes
Average Dealer Technician – 15 Minutes
Do-It-Yourself – 15 Minutes

Approximate Product Specifications
Dim's.: 16-3/4" & 22-3/8" L to R, 14" F to B, 10-1/2" high
Weight: 19 lbs. (not including mounting bar)
Capacity: 40 lbs.

⚠ CAUTION

Do not exceed the rated capacity for the Beverage Cooler Holder. Doing so may result in damage to the holder and/or the Tool Bar and will void the warranty.

The contents of this envelope are the property of the owner. Leave with the owner when installation is complete.

SET-UP

SET-UP

1. The beverage cooler holder features include many E-Track slots, bungee cord holes, bottle openers, cup holders and even a carabiner clip hole for a carabiner mounted accessory (for example: a Bluetooth speaker). See fig. 1.
2. Insert the (2) supplied cup holders into the mounting holes. See fig. 2.
3. Based on the size of your beverage cooler, locate the best E-track slots that meet your needs. Install the fixed end of the strap first. To install the E-track fitting, pull the release lever towards the cam buckle, hook the release lever end of the fitting into the mount and then insert the other end. Release the lever. See figs. 3a & b.

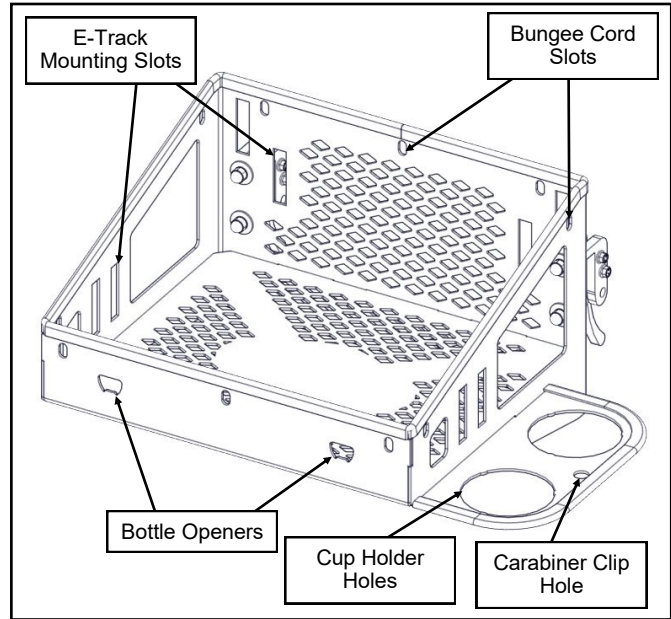


Fig. 1 (mounting point options)

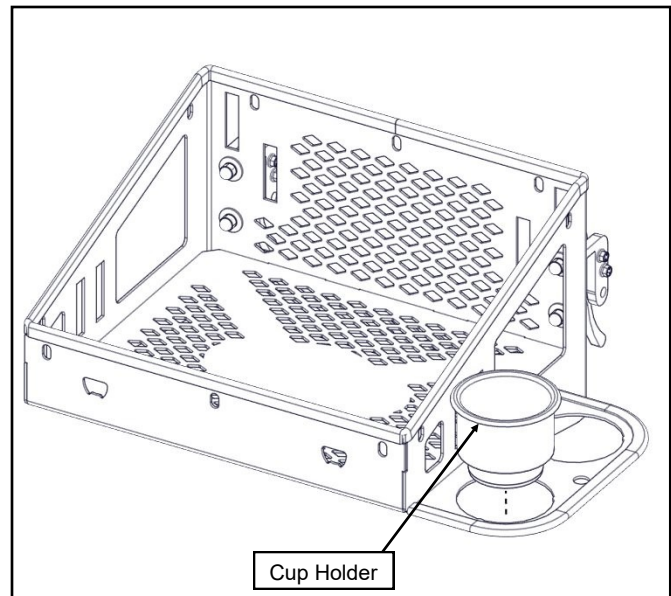


Fig. 2 (installing cup holders)

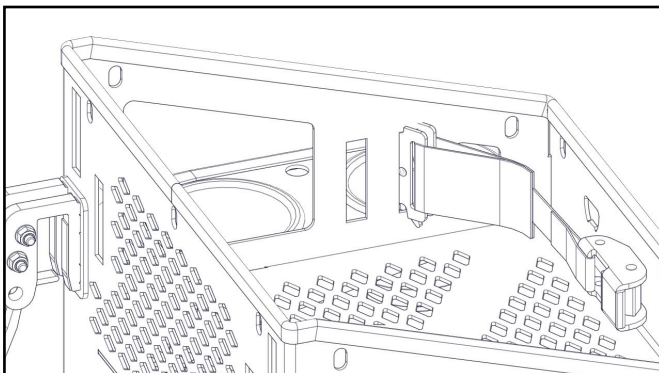


Fig. 3b (fixed end of hold-down strap installed)

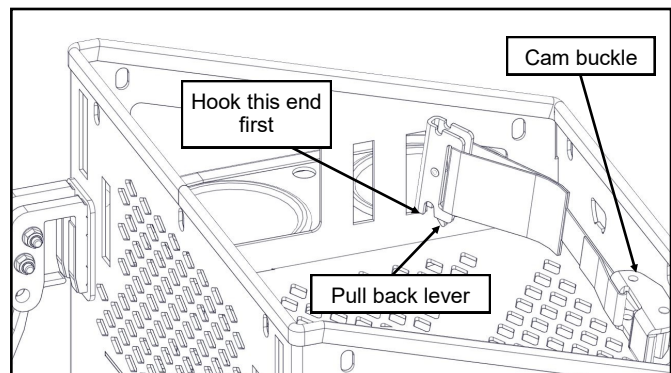


Fig. 3a (install fixed end of hold-down strap)

SET-UP

SET-UP (cont'd.)

4. Install the adjustable length E-track cam-buckle strap in the desired E-track slot location. Route the strap around the front of the cooler as shown in fig. 4. *Note: If you have chosen to use one of the alternate E-track slots, route the strap accordingly.*
5. Install the adjustable end of strap into the fixed end's cam buckle and tighten strap down. Once fully tightened, cut the excess strap (if desired) using a pair of scissors.



Remove the beverage cooler from the beverage cooler holder prior to the next step.

6. Once the strap is cut to length, use a heat gun or lighter to singe the cut end of the strap to make sure that the strap does not fray. See fig. 6.

Note: One E-track cam-buckle strap is provided in the kit. However, the mount was designed with many E-track and bungee cord slots to allow the user the option to add more straps or bungee cords, as desired.

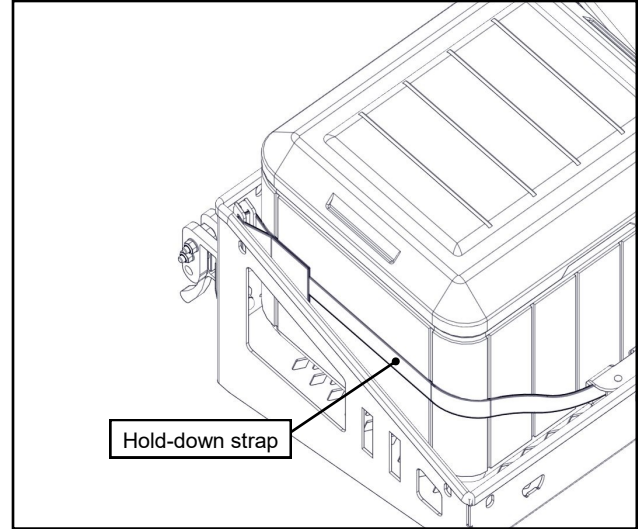


Fig. 4 (install adjustable length hold-down strap end)

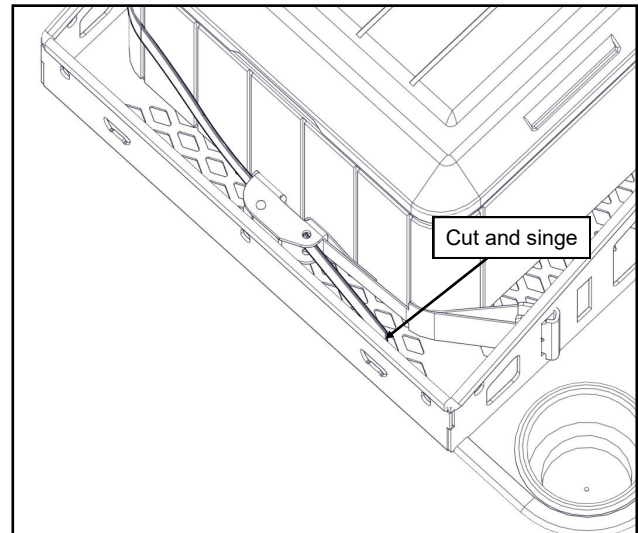


Fig. 6 (cut adjustable length hold-down strap end)

ATTACHING AND OPERATION

ATTACH TO MOUNTING BAR:

Note: The Artillian ROPS Mounted Toolbar is designed to hold multiple accessories at one time. If placed appropriately, up to 3 separate accessories may be possible. For example, the Chainsaw Mount, Fuel Can Holder, and Beverage Cooler Holder were designed to fit on the toolbar simultaneously.

7. Figure 7 shows a beverage cooler holder installed onto an Artillian ROPS Mounted Tool Bar.
8. To install the beverage cooler holder, rotate both cam levers UP, then place onto the Tool Bar. See fig. 8.

Note: if the Cam Lever Latches do not sit flush on the Tool Bar, one of the clamp plates may not have been fully open. Simply remove the beverage cooler holder, rotate the cam levers up and tilt the beverage cooler holder away from you to ensure the clamp plates are fully open, then reinstall on the Tool Bar.

9. To secure the beverage cooler holder to the Tool Bar, rotate both cam levers DOWN until they cam over. See fig. 9.

NOTE: For additional security, the beverage cooler holder can be locked to the Tool Bar by inserting a padlock through the holes in the mounting bracket where shown in fig. 9.

10. To remove the beverage cooler holder from the Tool Bar, rotate both cam levers UP, then lift the beverage cooler holder.

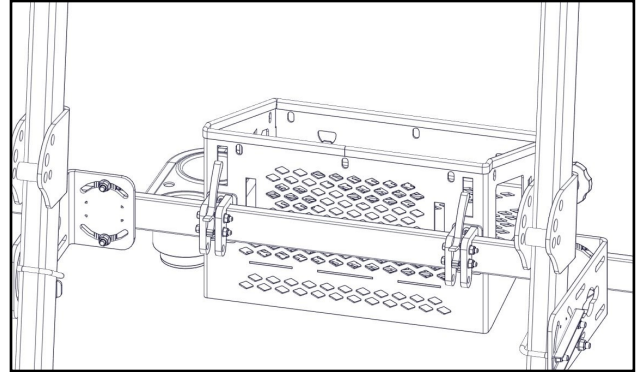


Fig. 7 (attaching a beverage cooler holder)

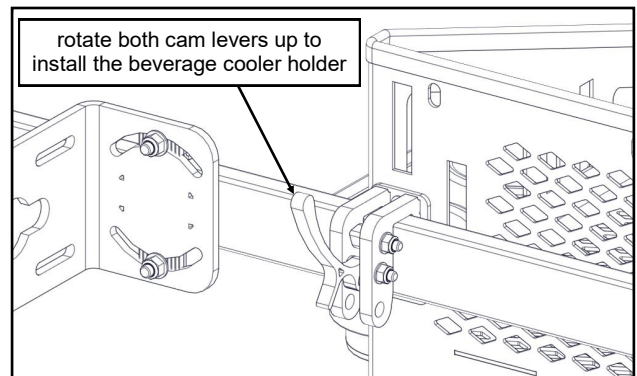


Fig. 8 (cam lever in the open position)

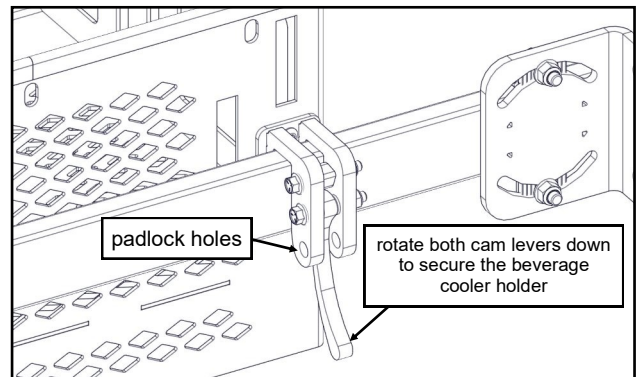


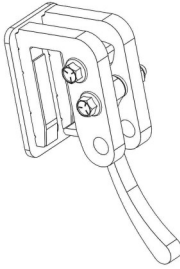
Fig. 9 (cam lever in the closed position)

OPERATION

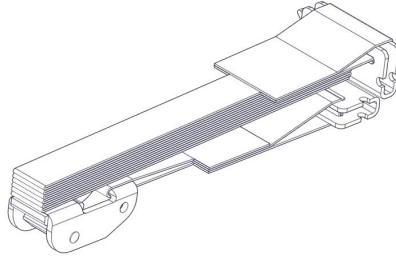
11. For optimal functionality, the cam lever latches are factory assembled with some friction between the cam lever and the housing. This ensures the cam lever doesn't accidentally flip closed while the user attempts to install it on the bar. If the cam levers loosen up over time, simply tighten the nut and bolt that secure the lever to the housing until the desired resistance on the cam lever has been achieved.

SERVICE PARTS:

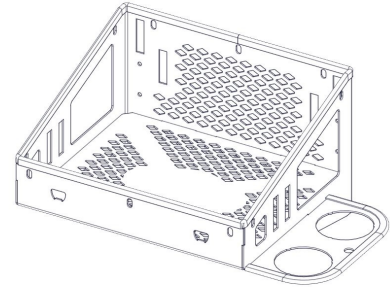
CAM LEVER LATCH
P/N: 8SV-110-00071 (QTY.: ONE)



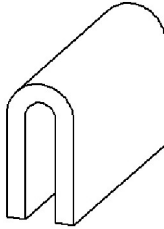
1" WIDE HOLD-DOWN, 15' LG, BLACK
P/N: 9SV-9BC06 (QTY.: ONE)



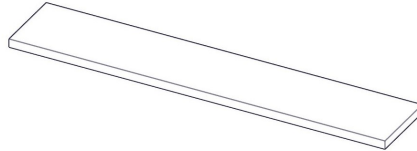
BEVERAGE COOLER HOLDER (with Trim Lok); P/N: 8SV-WA-00372 (QTY.: ONE)



TRIM LOK (10 feet long)
P/N: 9SV-PRO1-10



SAFETY WALK ADHESIVE STRIPS
P/N: 9SV-9PR62-375 (QTY.: 12)

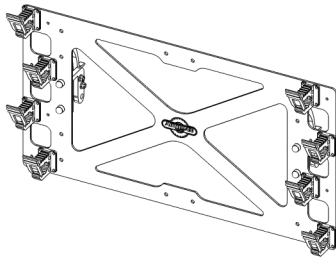


CUP HOLDER, 3.75" DIAM. X 3.25" TALL; P/N: 9SV-9CUP02 (QTY.: ONE)

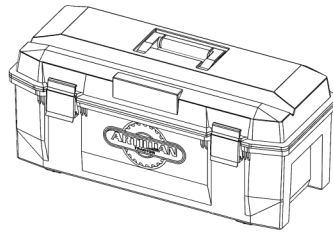


OTHER ACCESSORIES:

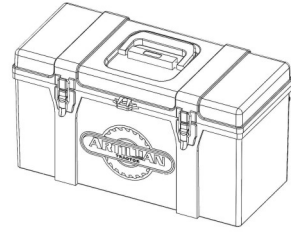
ROPS MOUNTED TOOL RACK
P/N: 1RMTRK



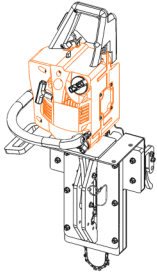
ROPS MOUNTED TOOLBOX, X-LARGE
P/N: 1RMTBXL



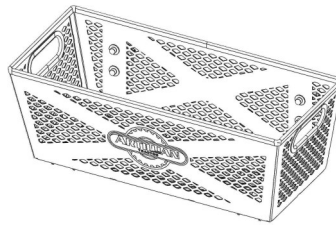
ROPS MOUNTED TOOLBOX, LARGE
P/N: 1RMTBXS



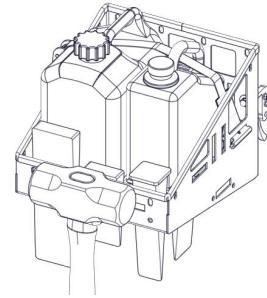
ROPS MOUNTED CHAINSAW MOUNT
P/N: 1RMCSM
(chainsaw shown for illustration purposes)



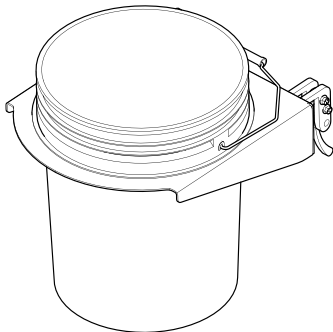
ROPS MOUNTED TOOL BASKET
P/N: 1RMTBSK



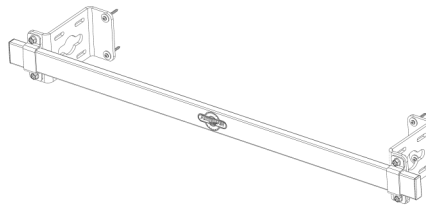
ROPS MOUNTED FUEL CAN HOLDER
P/N: 1RMFCH
(fuel can and accessories shown for illustration purposes)



ROPS MOUNTED 5-GALLON BUCKET
HOLDER - P/N: 1RM5GBH
(Bucket shown for illustration purposes)



TOOL BAR WALL MOUNT
P/N: 1RMTBWM



MORE ACCESSORIES COMING SOON!