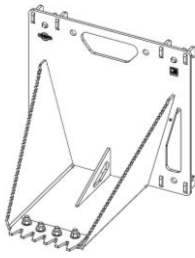




Front Hoe Bucket p/n: 5-FPS-916 Installation Instructions

For all Artillian Pallet Fork Frames built after model year 2010



The Artillian Front-Hoe Bucket turns your Artillian pallet fork frame into a tool for digging, trenching, transplanting, brush grubbing, trail maintenance, wall building, general hauling, and many other tasks.

Parts Included

1. (1) Attachment Plate
2. (2) Tethered lock keys

Please review these instructions before using!

To use, begin with your Pallet Fork Frame installed on your loader at a comfortable height, and fork tines removed, if applicable.

On the Front-Hoe Bucket, pass the Lock Keys through the cutouts to the front of the adapter plate. They can then be slung over the edge and into the bucket for easy access.

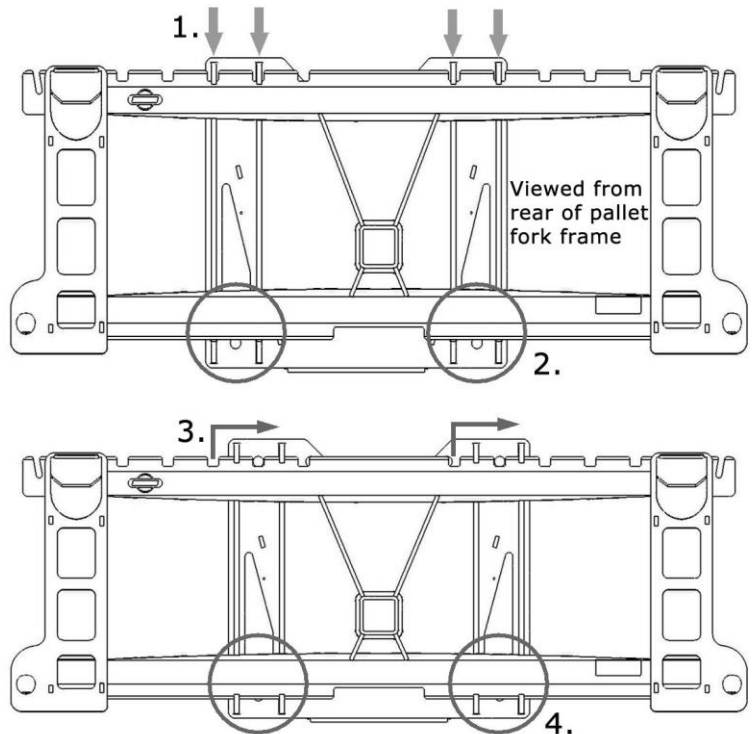
Then, install the Front-Hoe Bucket on the Fork Frame as follows:

1. Hang the upper hooks of the Attachment on the Upper Fork Rail, down in the notches.

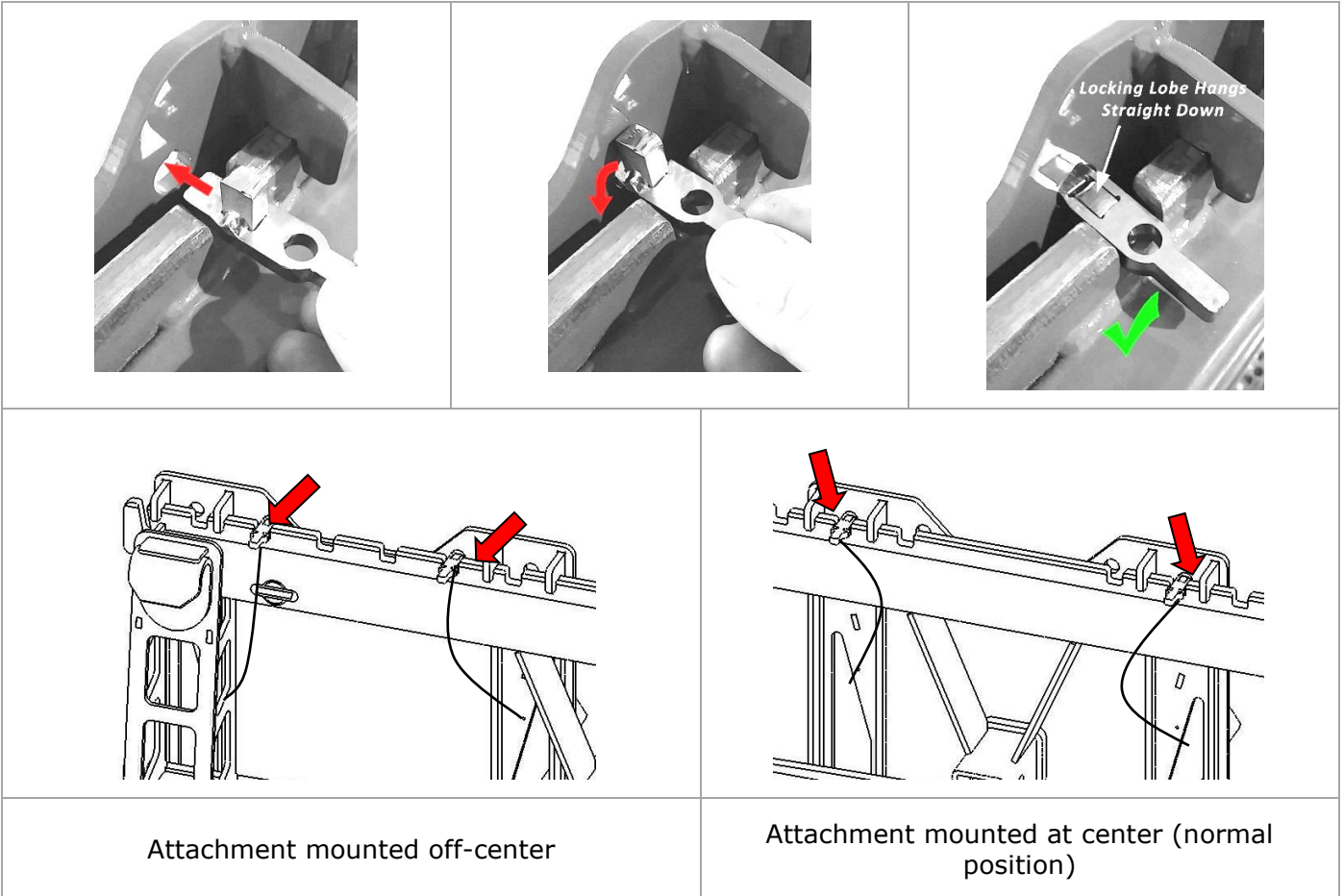
2. The lower hooks of the Attachment should pass under the Lower Rail. The Attachment should now be resting flat against the fork rails.

3. Lift the Attachment straight up and slide to the center of the Fork Frame.

4. CHECK THAT ALL LOWER HOOKS REMAIN CLIPPED UNDER THE LOWER RAIL OF THE FORK FRAME



Once the Attachment is centered on the fork frame, **install the two Lock Keys** as shown on next page.



The Attachment is now ready for use.

Note: The Front-Hoe Bucket can also be installed "upside down" in the same manner as above. However, in the upside down orientation, it should only be used at the center of the fork frame.

WHEN DIGGING, WATCH FOR UNDERGROUND UTILITIES SUCH AS PIPES CONTAINING HIGH PRESSURE FLUIDS, ELECTRICAL CONDUCTORS CARRYING HIGH VOLTAGES, ETC.

All safety guidelines illustrated in your tractor and loader owner's manuals should be observed whenever using Artillian Attachments. Thank you and be safe!

Warranty

Artillian, LLC warrants to the original purchaser that this product will be free from defects in material and workmanship for a period of **90 days** from the date possession is taken by the original purchaser when used as intended and under normal service and conditions for personal use.

Finishes (coatings, labels, & decals) are not inclusive. Artillian, LLC reserves the right to inspect items claimed to be defective in material or workmanship. Artillian LLC's obligation under this warranty is limited to repair or replacement with a nearest similar part.

This Warranty will not apply to any part or product which, in Artillian LLC's judgment, shall have been misused or damaged by accident, abuse, misapplication, fire, negligence, or lack of normal maintenance or care, or which has been altered or repaired in a way which adversely affects its performance or reliability, or which has been used for a purpose for which the product is not designed.

Artillian, LLC's obligations under this warranty, to the extent allowed by law, is in lieu of all warranties, implied or expressed, including implied warranties of merchantability and fitness for a particular purpose and any liability for incidental and consequential damages with respect to the sale or use of the product warranted. In any event, liability on behalf of Artillian LLC is limited to the original purchase price.