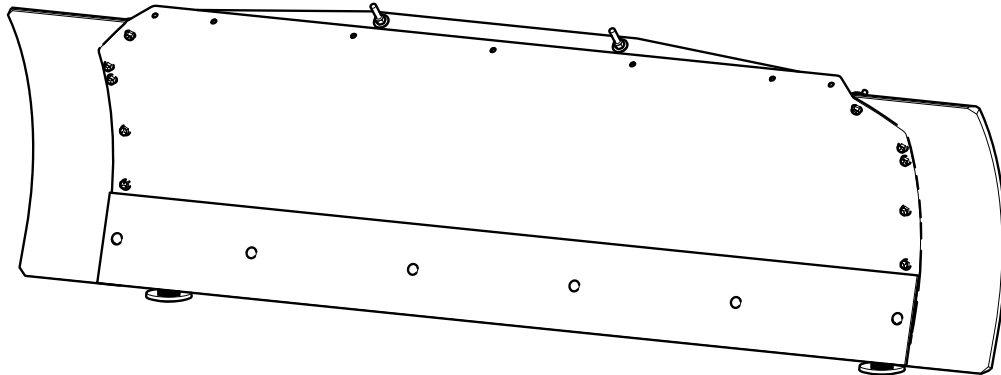




Extension Wing Kit - ASW-60
Flexible Reinforced-Rubber Extensions For Widening
Curtis Utility Vehicle Plows by 12 Inches

Parts Included:

- (2) Rubber Wings (left and right)
- (2) 5/16-18 x 1-3/4" Carriage Bolts
- (10) 5/16-18 x 1-1/2" Hex Bolts
- (4) 5/16 x 1" Flat Washers
- (16) 5/16 x 1-1/2" Flat Washers
- (12) 5/16-18 Flanged Hex Nuts



NOTES:

- The Artillian Extension Wings are designed to be installed with a new cutting edge. It is highly recommended to start with a new cutting edge .
- If installing with a worn cutting edge, the Extension Wings may need to wear in prematurely to match. This can be accelerated with a sanding machine, but is not recommended.

| Approximate Installation Time * |
|---|
| Experienced Dealer Technician – 0.5 Hours |
| Average Dealer Technician – 45 mins |
| Do-It-Yourself – 1 Hours |

(* = Not including accessories)

| Approximate Product Specifications |
|------------------------------------|
| Weight: 7 lbs.** |

(** = Contents of this plow kit only)

The contents of this envelope are the property of the owner. Leave with the owner when installation is complete.

Thank you for choosing Artillian!

Rev. A, 11/21/2018

INSTALLATION

TOOLS REQUIRED:

- 1/2" open end wrenches and/or sockets
- Permanent marker
- Center Punch
- Drill with 5/16" drill Bit

STEP 1: (Drill Holes in Moldboard)

- Remove the existing carriage bolt from both ends of the cutting edge. If a side marker kit is installed, remove them as well.
- Per figure 1, align the extension wing on the back side of the moldboard, to the hole for the cutting edge and the two holes at the upper corner of the moldboard.
- Mark for three more holes using the holes in the extension wing as a guide, and drill three 5/16" holes in the moldboard.
- Repeat for the other side.

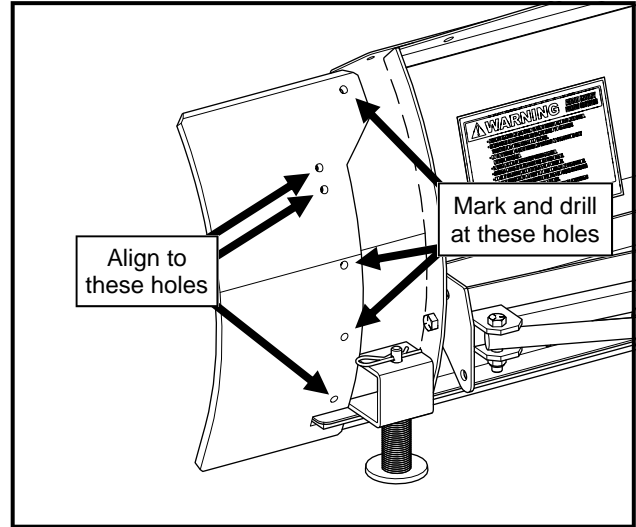


Figure 1 - Drill Holes in Moldboard

STEP 2: (Extension Wing Installation)

- Per figure 2, attach the extension wing to the back side of the moldboard with five hex bolts and one carriage bolt through the cutting edge, from the front of the moldboard.
- On the back side, use one 1" washer at each of the two bolts at the upper outside corner of the moldboard.
- At all other bolts, use two 1-1/2" flat washers per bolt.
- Secure all bolts with a 5/16-18 flanged nut.

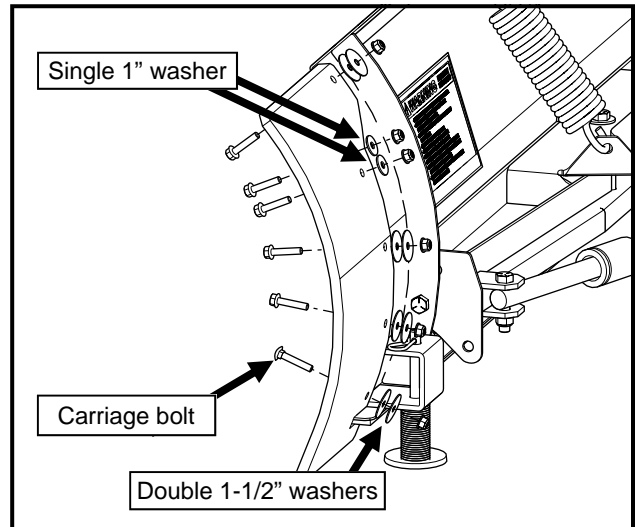


Figure 2 - Attach Extension Wing

OPTIONAL: (Side Marker Installation)

- If installing a side marker kit along with the extension wings, install the marker on top of the extension wing, on the rear side of the moldboard, per figure 3.

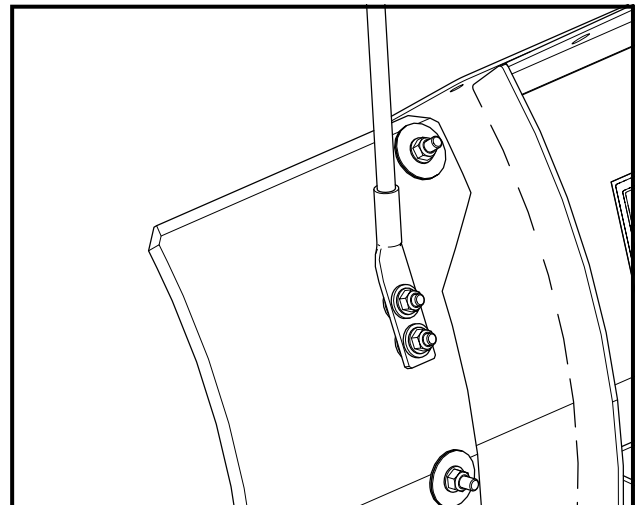


Figure 3 - Side Marker Kit