

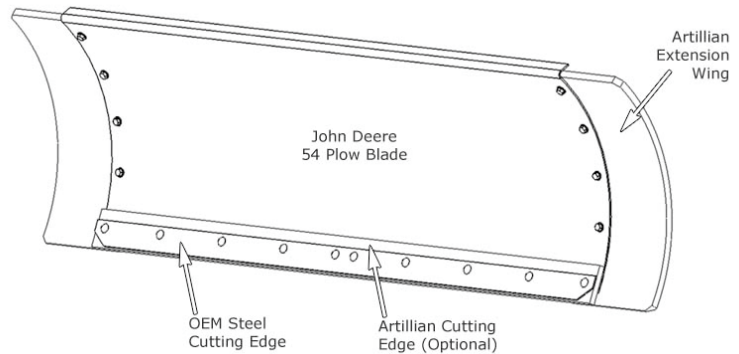


# **ASW-54 - EXTENSION WINGS FOR THE DEERE 54 PLOW BLADE**

FLEXIBLE REINFORCED-RUBBER EXTENSIONS FOR WIDENING THE JOHN DEERE 54 PLOW BLADE FROM 54" (137cm) TO 66" (167cm)

## **Contents**

- (2) Die-cut Rubber Wings, Left & Right
- (2) Carriage Bolts, 8mm x 45mm
- (2) Carriage Bolts, 8mm x 60mm
- (8) Hex Screws, 8mm x 35mm
- (8) Flat Washer, Small 8mm
- (10) Flat Washer, Med 8mm
- (20) Flat Washer, Large 8mm
- (10) Locking Flange Nuts, 8mm

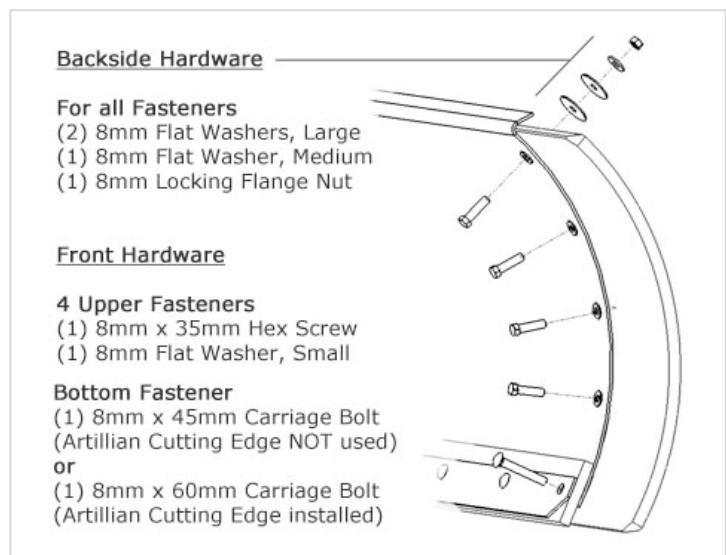


## **Tools Required**

1. 13mm open end wrenches and/or sockets
2. Tape measure
3. Clamp
4. Permanent Marker
5. Center Punch
6. Hammer
7. Drill with 5/16"(8mm) drill bit

## **Installation Overview**

After drilling mounting holes through the plow blade, hardware is used to attach the Extension Wings to the backside of the plow blade. The upper hex screws require one (1) small flat washer under the head. Two (2) large flat washers, one (1) medium flat washer, and one (1) locking hex nut are used on each fastener on the backside.

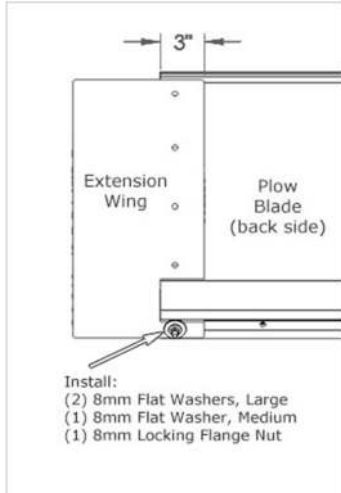


## **Notes**

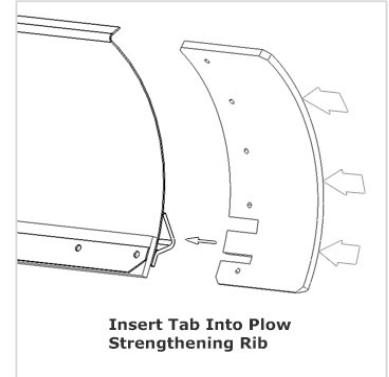
- I. The Artillian Extension Wings are designed to be installed with a new cutting edge and/or one of the Artillian cutting edges. It is highly recommended to start with a new cutting edge or one of the Artillian cutting edges for use with these Extension Wings.
- II. If installing with a worn cutting edge, the Extension Wings may need to wear in prematurely to match. This can be accelerated with a sanding machine, but is not recommended.

## Installation

1. You may want to separate the blade from the hitch and move the blade to a comfortable work area. Some tasks are easier with the blade standing up and some may be easier with the blade lying down. Alternatively, installation can be performed with the blade installed on the hitch/tractor.
2. Remove the outermost screw from both ends of the cutting edge on your plow. These will not be reused.
3. Insert one of the Extension Wings (right side shown) into the end of the plow blade. Be sure the top edge of the wing goes under the top lip of the plow.



4. Install the appropriate 8mm carriage bolt through the bottom hole of the plow. The Extension Wing may need to be distorted a bit for the bolt to pass through its hole.
5. Install the Backside Hardware on the screw, taking up the excess thread on the screw but do not tighten fully.



6. Using the tape measure, overlap the Extension Wing exactly 3" (76mm) from the side of the plow as shown and then clamp the Extension Wing firmly in place on the plow near the top.
7. Using the permanent marker, make dots at the centers of the 4 holes in the Extension Wing on the back side of the plow blade. Be sure to enter straight into the holes.



8. At this time, remove the Extension Wing from the plow blade.
9. Use the center punch and hammer to strike a center point on the marks made with the permanent marker.
10. Drill through the plow blade in all four locations. The plow blade is soft steel and drills easily.
11. Deburr the holes and touch up the paint as desired.
12. Re-install the Extension Wing on the plow blade. This time, insert all fasteners with their backside hardware. Hand tighten only until all hardware is added.
13. Once all hardware is all loosely installed, tighten all fasteners. Check the alignment as you go, making sure the 3" overlap on the plow blade is maintained.



**ONLY TIGHTEN THE FASTENERS UNTIL FIRM. DO NOT COMPRESS THE RUBBER.**

14. Repeat at the opposite end of the plow.



**Your Extension Wings are now installed. Thank you for choosing Artillian!**