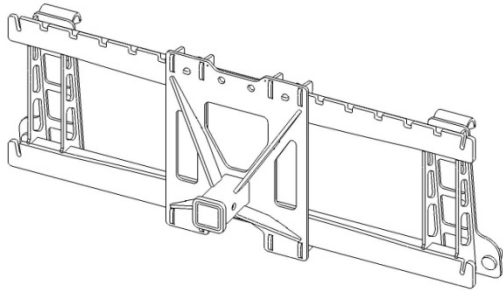




## 2" Receiver Hitch Adapter Installation Instructions

For the Artillian JDQA & JDPO Pallet Fork Frames



The Artillian 2" Receiver Hitch adapter turns your Artillian pallet fork frame into a tool to attach the variety of products made to mount into receiver hitches such as tow ball mounts, bale spears, etc

### Parts Included

1. (1) Adapter Plate
2. (2) Tethered lock keys

**Please review these instructions before using!**

-With your Pallet Fork Frame on your loader at a comfortable height, remove the fork tines, if applicable.

-On the Adapter, dangle the Tethered Lock Keys over the front side of the adapter plate.

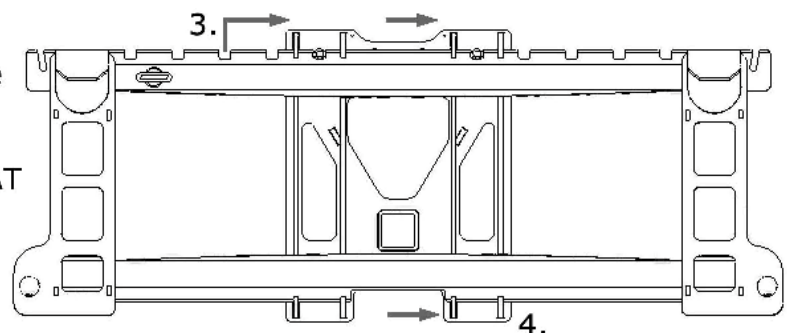
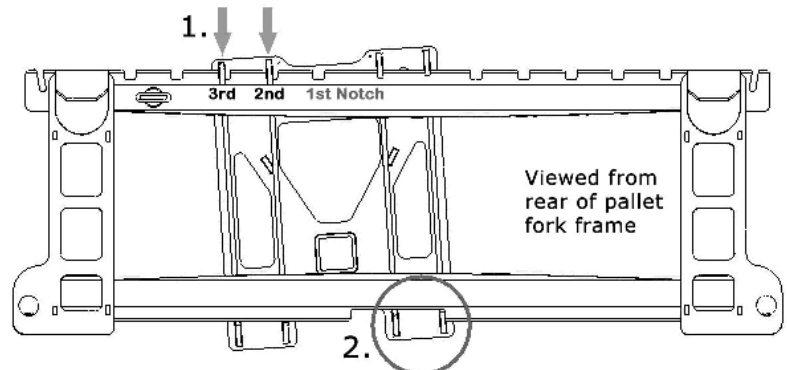
-Install Adapter as follows:

1. Rest Adapter on Pallet Fork Frame as shown in the 2nd & 3rd notches from center

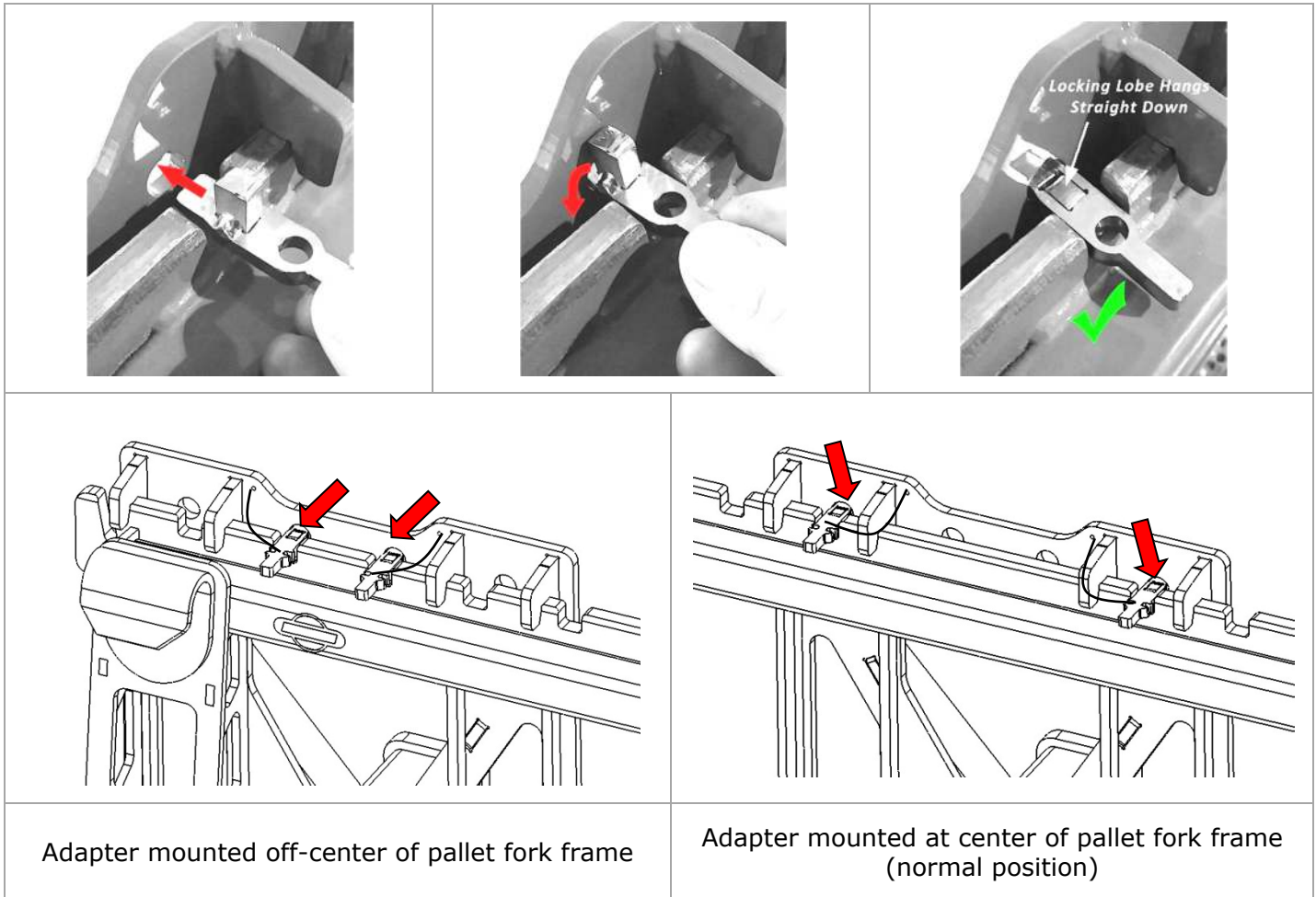
2. Pass lower hooks of Adapter completely under Pallet Fork Frame until flat against rails. Two of the lower hooks should pass through the fork tine installation slot.

3. Lift straight up and slide Adapter to the center of the Pallet Fork Frame

4. AFTER INSTALLATION, CHECK THAT ALL LOWER HOOKS ARE SECURELY CLIPPED UNDER BOTTOM OF PALLET FORK FRAME!



-Once the plate is centered on the fork frame, **install the two Lock Keys** as shown on next page.



Adapter mounted off-center of pallet fork frame

Adapter mounted at center of pallet fork frame (normal position)

The adapter is now installed. Add your receiver implement per manufacturer instructions and enjoy!

All safety guidelines illustrated in your tractor and loader owner's manuals should be observed whenever using Artillian attachments. Thank you and be safe!

**When using this adapter as a trailer mover, be aware that towing your trailer in reverse with your tractor will move differently than towing with a vehicle. TAKE YOUR TIME to learn how to control this movement.**

**When crossing uneven ground, watch the curl/dump angle of your loader. The ball mount must remain relatively level with the trailer hitch. Allowing the ball mount to reach an excessive angle relative to the trailer hitch can damage your trailer hitch, the ball mount, the Receiver Hitch Adapter, and/or your loader. It may lead to the trailer breaking away from your tow ball.**

**ALWAYS ATTACH YOUR TRAILER'S SAFETY CHAINS TO THE RECEIVER HITCH ADAPTER.**

**Avoid excessive angles. A side load from a towed trailer to your loader may cause damage to the loader or loss of control of your tractor. MOVE SLOWLY and be aware of the weight of your trailer. The weight of an average landscaping trailer bearing on your loader from an angle is enough to cause damage if proper care is not taken.**